



C A T V
RETURN BAND
ALIGNMENT
SYSTEM

MODEL 6103
Head End Cable
TEst Return
"HECTER"

MODEL 6106
Carrier Generator/
Telemetry Receiver
Field Unit
"HECTER'S PUP"

CATV Return Band Alignment System

Models 6103 / 6106

This system consists of a rack-mount headend signal level receiver/telemetry transmitter unit and a small, field portable, dual-carrier signal generator/telemetry receiver unit.

Application:

- Enables a single technician to perform return band alignment

Features:

Model 6103 HECTER

- Two inbound signal level receivers
- Telemetry outbound transmitter
- Reports actual signal level of both carriers, in dBmV, in realtime to the field unit
- Optional outbound pilot carriers (max of 2)

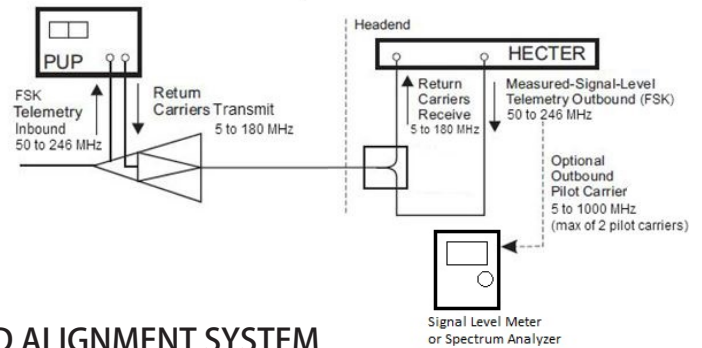
Model 6106 HECTER'S PUP

- Two carrier return generator
- Telemetry receiver with dual digital readout of amplitudes received at the headend
- Compact, rugged, field portable



Model 6106 Hecter's Pup

Model 6103 Hecter



SPECIFICATIONS - RETURN BAND ALIGNMENT SYSTEM

MODEL 6106 HECTER'S PUP

INBOUND CARRIER GENERATOR:

Two Carrier Frequencies (selected at time of order).. Standard 6 MHz and 29 MHz
 Optional Frequency range..... 5 - 180 MHz
 RF output..... Individually adjustable, +36 to +56 dBmV
 Amplitude stability..... 0.5 dB /setting
 Spectral purity..... >60 dBc
 Residual hum..... <0.1%
 Frequency accuracy ≥.01% or 1kHz

TELEMETRY RECEIVER:

Frequency (selected at time of order).. 52.0 MHz standard
 Optional frequency range..... 50 to 246 MHz
 Receive amplitude range..... -20 to +40 dBmV

DUAL LCD READOUT:

Display..... Simultaneously displays the headend signal level reading of the inbound carriers at the headend. Update rate ≈ five times per second, displays battery charge information upon turn-on, gives automatic Lo battery information while in use.

ENCLOSURE:

Temperature range Operating -17°C to 50°C
 Power Ni-cad battery pack. Rechargeable from wall transformer
 Battery life..... >10 hours continuous use
 Size 4"H x 10"W x 7.25"D
 Weight..... 4.5 lbs. (2.1 Kg)
 Specifications subject to change without notice.

We accept Visa, Discover, AmEx, and MasterCard

MODEL 6103 HECTER

DUAL INBOUND RECEIVERS:

Two Carrier Frequencies (selected at time of order).. Standard 6 MHz and 29 MHz
 Optional Frequency range 5 - 180 MHz
 Level Range -10 to +30 dBmV
 Level accuracy ±0.5 dB @ 25° C
 Level resolution 0.1 dB

OUTBOUND TELEMETRY CARRIER:

Frequency (selected at time of order) Standard 52.0 MHz
 Optional frequency range 50 to 246 MHz
 RF output level +30 to +50 dBmV
 CW spurious and harmonics All >60 dBc

ENCLOSURE:

Temperature range Operating 0° C to 45° C
 Power 110/120 VAC 60 Hz
 Size 19" Rack Mount, 1 1/4"H, 9"D
 Weight 7 lbs. (3.2 Kg)

Specifications subject to change without notice.

Applied Instruments, Inc.
 5230 Elmwood Ave.
 Indianapolis, IN 46203 USA
 Tel: 317-782-4331 Fax: 317-786-9665
 Toll free in USA 1-800-244-2976
<http://www.appliedin.com>

