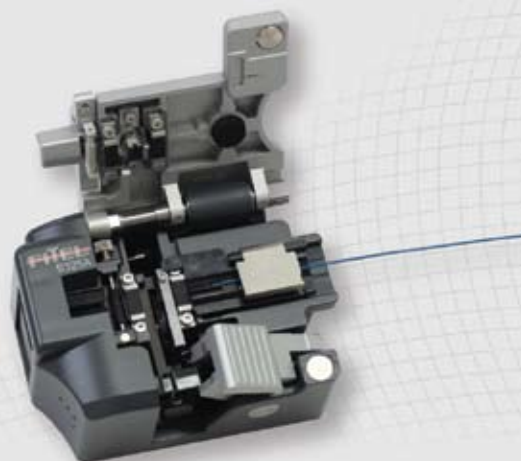


**S325A, S310, & S315 Cleavers**  
**One-Step Cleaving... In the Palm of Your Hands**

**S325A Hand-Held High Precision Cleaver**

**Key Features**

- One-Step Action
- Cleave Anywhere! – In Your Palm or on Your Desktop
- Easy Fiber Loading
- Simple Operation
- High Capacity Waste Fiber Collection
- Durable Design
- Easy Maintenance on-Site



**SPECIFICATIONS:**

<b>Fiber Types</b>	All fiber types, single to 12-fiber ribbons
<b>Clad Diameter</b>	0.125 mm
<b>Coating Diameter</b>	0.25 mm and 0.9 mm for single fiber; 0.3 mm to 0.4 mm thickness for ribbons
<b>Cleave Length</b>	Single Fiber: Fixed Length - 10 & 16 mm Variable Length - 3 to 20 mm Ribbon Fiber: 10 mm Fixed Length
<b>Dimensions/Weight</b>	93W×68D×52H mm, 330 g
* S325S80 High precision cleave for 80 μm cleaving is also available.	



**STANDARD COMPONENTS:**

P/N	Description	Quantity
S325X-01	Main Body	1
S325X-02	Soft Carrying Case	1
S325X-03	Normal Fiber Waste Bin	2
S325X-04	Single Fiber Adapter	1
S325X-05	Large Capacity Fiber Waste Bin	1
FTS-B277	User's Manual	1

## S310 and S315 Single Fiber Cleavers

The FITEL S310 and S315 Single Fiber Field Cleavers are designed for cleaving fiber in the field quickly and easily. The S310 and S315 Field Cleavers can accommodate 0.25 mm and 0.9 mm coating diameters and their small lightweight size makes them the perfect addition to any field splicing system. The S310 and S315 field cleavers require some skill to achieve the desired cleave angle and may not be appropriate for some splicing applications. The S310 Cleaver is specifically designed to cleave fiber in the field accurately to a 16 mm length. The S315 Cleaver has a graduated scale, which allows for cleave lengths of 5 to 20 mm.

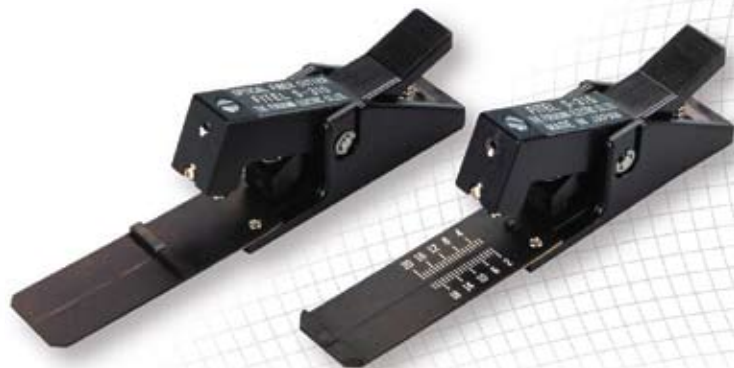
### APPLICABLE OPTICAL FIBER:

Silica glass-based optical fibers, single fiber, 0.25 mm and 0.9 mm coating diameter, 0.125 clad diameter.

### MODELS:

**S310:** For cleaving to 16 mm length

**S315:** For cleaving 5 to 20 mm length adjusting with scale



### Contact Us:

#### Fusion Splicer Customer Service, Training and Service Center

417 Dividend Drive  
Peachtree City, GA 30269, USA  
Toll Free: 866-452-9516  
Phone: 678-783-1090  
Fax: 678-783-1093  
Email: [splicers@ofsoptics.com](mailto:splicers@ofsoptics.com)

#### OFS Corporate Headquarters

2000 Northeast Expressway  
Norcross, Georgia 30071, USA  
Toll Free: 888-Fiber-Help  
Intl. Phone: 770-798-5555  
Email: [ofs@ofsoptics.com](mailto:ofs@ofsoptics.com)

For additional information please contact your sales representative. You can also visit our website at:  
<http://www.ofsoptics.com>.

FITEL is a trademark of Furukawa Denki Kogyo Kabushiki Kaisha DBA The Furukawa Electric Co., Ltd Corporation.

OFS reserves the right to make changes to the prices and product(s) described in this document in the interest of improving internal design, operational function, and/or reliability.

This document is for informational purposes only and is not intended to modify or supplement any OFS warranties or specifications relating to any of its products or services.

Copyright © 2009 OFS FITEL, LLC.  
All rights reserved, printed in USA.

OFS  
Marketing Communications  
FITEL-S325-S315-S310-0409



Use electronic files, available at:  
[www.ofsoptics.com](http://www.ofsoptics.com) - Use less paper