

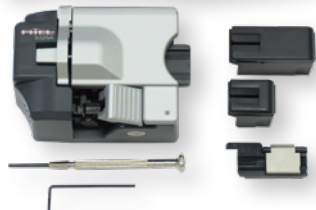


S325A, S310, & S315 Cleavers

One-Step Cleaving... In the Palm of Your Hands



S325A Hand-Held High Precision Cleaver



Features and Benefits

- One-Step Action
- Cleave Anywhere! – In Your Palm or on Your Desktop
- Easy Fiber Loading
- Simple Operation
- High Capacity Waste Fiber Collection
- Durable Design
- Easy Maintenance on-Site

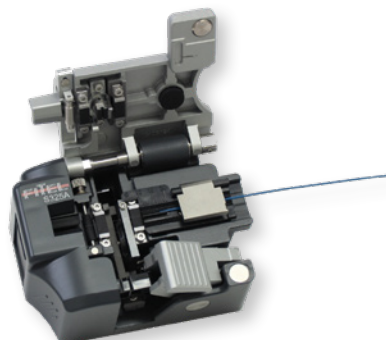
Product Specifications

Fiber Types	All fiber types, single to 12-fiber ribbons	
Cladding Diameter	0.125 mm	
Coating Diameter	0.25 mm and 0.9 mm for single fiber; 0.3 mm to 0.4 mm thickness for ribbons	
Cleave Length	Single Fiber:	Fixed Length - 10 & 16 mm Variable Length - 3 to 20 mm
	Ribbon Fiber:	10 mm Fixed Length
Dimensions/Weight	93W×68D×52H mm, 330 g	

* S325S80 High precision cleave for 80 μm cleaving is also available

Standard Components

Item	P/N	Quantity
Main Body	S325X-01	1
Soft Carrying Case	S325X-02	1
Normal Fiber Waste Bin	S325X-03	2
Single Fiber Adapter	S325X-04	1
Large Capacity Fiber Waste Bin	S325X-05	1
User's Manual	FTS-B277	1



A Furukawa Company

Authorized Distributor of FiTeL Products
in the Americas



S310 and S315 Single Fiber Cleavers

S310 and S315 Single Fiber Cleavers

The FITEL S310 and S315 Single Fiber Field Cleavers are designed for cleaving fiber in the field quickly and easily. The S310 and S315 Field Cleavers can accommodate 0.25 mm and 0.9 mm coating diameters and their small lightweight size makes them the perfect addition to any field splicing system. The S310 and S315 field cleavers require some skill to achieve the desired cleave angle and may not be appropriate for some splicing applications. The S310 Cleaver is specifically designed to cleave fiber in the field accurately to a 16 mm length. The S315 Cleaver has a graduated scale, which allows for cleave lengths of 5 to 20 mm.

Applicable Optical Fiber:

Silica glass-based optical fibers, single fiber, 0.25 mm and 0.9 mm coating diameter, 0.125 clad diameter.

Models:

S310: For cleaving to 16 mm length

S315: For cleaving 5 to 20 mm length adjusting with scale

For additional information please contact your sales representative.

You can also visit our website at www.ofsoptics.com or call 1-888-fiberhelp (1-888-342-3743) USA or 1-770-798-5555 outside the USA.

Fusion Splicer Customer Service, Training and Service Center

Toll Free: 866-452-9516
Phone: 678-783-1090
Fax: 678-783-1093
Email: splicers@ofsoptics.com

OFS Corporate Headquarters

2000 Northeast Expressway
Norcross, Georgia 30071, USA
Toll Free: 888-Fiber-Help
Intl. Phone: 770-798-5555



Copyright © 2017 OFS Fitel, LLC.
All rights reserved, printed in USA.

OFS Marketing Communications
Doc ID: FITEL-S325-S315-S310
Date: 11/17

FITEL is a registered trademark of Furukawa
Denki Kogyo Kabushiki Kaisha
DBA Furukawa Electric Co., Ltd.

Furukawa reserves the right to make changes to the prices and product(s) described in this document at any time without notice. This document is for informational purposes only and is not intended to modify or supplement any Furukawa warranties or specifications relating to any of its products or services.