

# Mille Luce™ Model M1000 Fiber Optic Illuminator

## FEATURES:

- 1,000 to 10,000 hours of lamp life
- Low noise/vibration
- Internal IR filter
- Easy lamp change
- Quick-change, positive locking fiber optic port
- Integrated handle
- Multiple unit stacking
- Optional base mounting capability
- Optional iris-dimming control
- Optional color filtration
- UL, CSA and CE approved



The Mille Luce™ is a technological leap in fiber optic illuminator design. The many features and performance enhancements incorporated into this unit are tailored to meet the needs of virtually all microscopy applications. In addition, it can satisfy the requirements of many machine vision systems. The Mille Luce provides shadow-free, intense, cool illumination for many applications including assembly, inspection, and laboratory analysis.

By using innovative optical designs, efficiency between the lamp and the fiber coupling has been dramatically increased. This enables lamp life to be extended by a factor of five, with no loss in light output. For example, using a standard 150 Watt EKE quartz halogen lamp, with the illuminator at full intensity, lamp life is increased from 200 to 1,000 hours. A slide potentiometer adjusts lamp intensity from 0 to 100%. Optional iris dimming is available when constant color temperature is required.

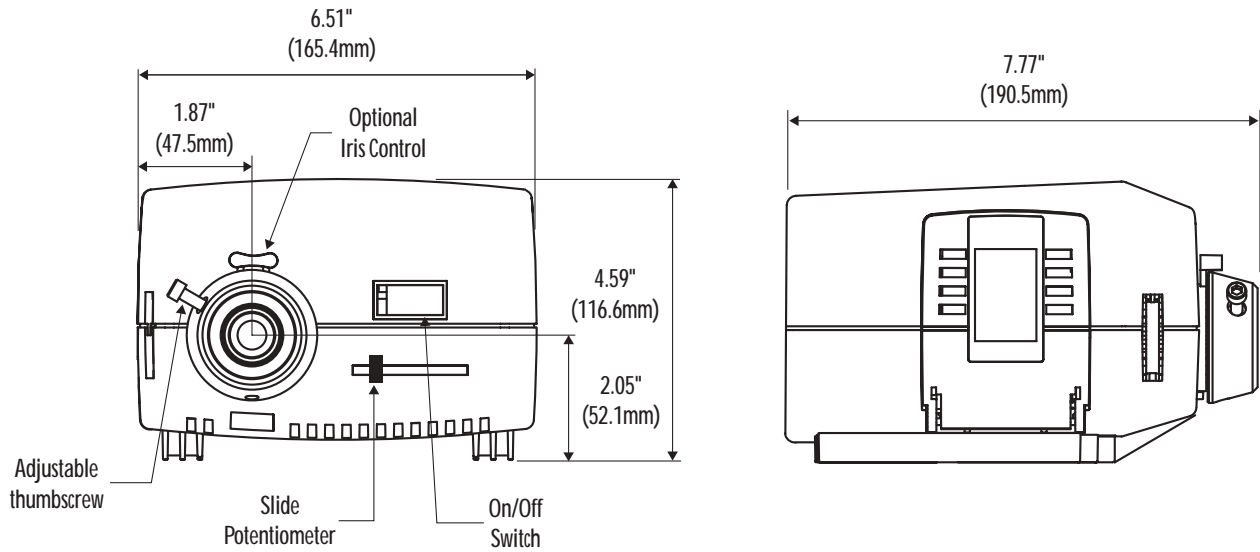
The recently upgraded nosepiece enables the quick and easy change of any fiber optic component, and eliminates any rotational movement within the fiber optic port. Subsequently, a genuine StockerYale gooseneck, which would otherwise slip or rotate within a conventional fiber optic port, is now held firmly in place. Standard features and benefits include fast and easy lamp change, an integrated IR filter, low vibration and fan noise, along with many other innovative qualities.

## TECHNICAL SPECIFICATIONS

Input power:	190 Watt, max
Input voltage:	100 VAC, 115 VAC or 220/240 VAC
Fuse rating:	quick acting; 3A 5x20mm (100 VAC, 115 VAC) 2A 5x20mm (220/240 VAC)
Lamp adjustment range:	0 to 100%
Converter frequency:	50/60 Hz
Color temperature:	3200K at maximum intensity (assuming standard EKE lamp)
Lamp life:	1,000 to 10,000 hours
Light output:	40,000 fc

Weight:	5.5 lbs. (2.5 kgs.)
Output voltage:	21 VAC
Lamp types:	150W EKE, 3250K* 150W EKE-HC, 4200K 150W EJV, 3400K *Standard lamp type
Operating temperature:	32 to 104°F (0 to 40°C)
Humidity range:	0 to 80%; non-condensing
Agency approval:	UL/CSA CE marked (220/240 VAC only)

## DIMENSIONS



**Corporate Headquarters**  
32 Hampshire Road  
Salem, New Hampshire 03079 USA  
**800-843-8011**  
603-893-8778 Fax: 603-893-5604  
sales@stockeryale.com  
www.stockeryale.com

StockerYale and the StockerYale logo are trademarks of StockerYale, Inc.  
All other brand and product names are trademarks or registered trademarks of  
their respective holders.

Copyright © October 2003 StockerYale, Inc. Printed in the USA  
All rights reserved. FO-022-02