

Anritsu

**Site Master
S113B, S114B,
S331B, S332B,
Antenna, Cable and
Spectrum Analyzer**

User's Guide



Hand-Held Tester for Transmission Lines
and other RF Components

WARRANTY

The Anritsu product(s) listed on the title page is (are) warranted against defects in materials and workmanship for one year from the date of shipment. Anritsu's obligation covers repairing or replacing products which prove to be defective during the warranty period. Buyers shall prepay transportation charges for equipment returned to Anritsu for warranty repairs. Obligation is limited to the original purchaser. Anritsu is not liable for consequential damages.

LIMITATION OF WARRANTY

The foregoing warranty does not apply to Anritsu connectors that have failed due to normal wear. Also, the warranty does not apply to defects resulting from improper or inadequate maintenance by the Buyer, unauthorized modification or misuse, or operation outside the environmental specifications of the product. No other warranty is expressed or implied, and the remedies provided herein are the Buyer's sole and exclusive remedies.

TRADEMARK ACKNOWLEDGMENTS

MS-DOS, Windows, Windows 95, Windows NT, and Windows 98 are registered trademarks of the Microsoft Corporation. Anritsu and Site Master are trademarks of Anritsu Company.

NOTICE

Anritsu Company has prepared this manual for use by Anritsu Company personnel and customers as a guide for the proper installation, operation and maintenance of Anritsu Company equipment and computer programs. The drawings, specifications, and information contained herein are the property of Anritsu Company, and any unauthorized use or disclosure of these drawings, specifications, and information is prohibited; they shall not be reproduced, copied, or used in whole or in part as the basis for manufacture or sale of the equipment or software programs without the prior written consent of Anritsu Company.

DECLARATION OF CONFORMITY

Manufacturer's Name: ANRITSU COMPANY

Manufacturer's Address: Microwave Measurements Division
490 Jarvis Drive
Morgan Hill, CA 95037-2809
USA

declares that the product specified below:

Product Name: Site Master

Model Number: S113B, S114B, S331B, S332B, MS2711

conforms to the requirement of:

EMC Directive 89/336/EEC as amended by Council Directive 92/31/EEC & 93/68/EEC
Low Voltage Directive 73/23/EEC as amended by Council directive 93/68/EEC

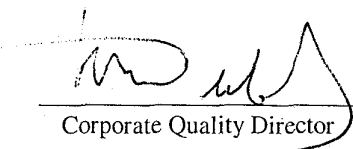
Electromagnetic Interference:

Emissions: CISPR 11:1990/EN55011:1991 Group 1 Class A

Immunity: EN 61000-4-2:1995/EN50082-1:1997 - 4kV CD, 8kV AD
EN 61000-4-3:1997/EN50082-1:1997 - 3V/m
ENV 50204/EN50082-1:1997 - 3V/m
EN 61000-4-4:1995/EN50082-1:1997 - 0.5kV SL, 1kV PL
EN 61000-4-5:1995/EN50082-1:1997 - 1kV L-L, 2kV L-E

Electrical Safety Requirement:

Product Safety: The Product Complies when used with Company supplied Power Supply (tested to EN 60950)


Corporate Quality Director

Morgan Hill, CA

JUL 8, 1999
Date

European Contact: For Anritsu product EMC & LVD information, contact Anritsu LTD, Rutherford Close, Stevenage Herts, SG1 2EF UK, (FAX 44-1438-740202)

Table of Contents

Chapter 1 - General Information	1-1
Introduction	1-1
Description	1-1
Standard Accessories	1-1
Options	1-2
Optional Accessories	1-2
Performance Specifications	1-3
Preventive Maintenance	1-6
ESD Precautions	1-6
Calibration	1-7
Annual Verification.	1-7
Chapter 2 - Getting Started	2-1
Introduction.	2-1
Charging a New Battery	2-1
Charging the Battery in the Site Master	2-1
Charging the Battery in the Optional Charger	2-1
Determining Remaining Battery Life	2-2
Battery Life	2-3
Important Battery Information	2-4
Chapter 3 - Functions and Operations	3-1
Introduction.	3-1
Front Panel Overview	3-1
Test Connector Panel.	3-2
Keypad Controls	3-3
Soft Keys	3-6
Power Monitor Menu	3-18
Printing.	3-19
Printing a Screen	3-19
Printer Switch Settings	3-20
Symbols	3-21
Self Test	3-21
Error Codes	3-22
Self Test Errors	3-22
Range Errors	3-23
Using the Soft Carrying Case.	3-25

Chapter 4 - Measurements	4-1
Introduction	4-1
Measurement Functions	4-1
Power On Procedure	4-2
Calibration Procedure	4-2
Selecting the Frequency Range	4-3
Performing a Calibration	4-3
Saving the Setup	4-4
Recalling a Setup	4-4
Saving a Display to Memory	4-4
Recalling a Display From Memory	4-4
SWR (Return Loss) and Cable Loss Measurement	4-6
Required Equipment	4-6
Device-Under-Test Specification	4-6
Procedure	4-6
Selecting the Measurement Mode	4-6
Selecting the Frequency Range	4-6
Performing a Calibration	4-7
SWR or Return Loss Measurement	4-8
Set the Amplitude Scale and Limit Line	4-8
Setting the Markers	4-9
Cable Loss Measurement	4-10
Setting the Amplitude Scale	4-10
Setting the Markers	4-10
DTF Measurement	4-12
Required Equipment	4-12
Device-Under-Test Specification	4-12
Procedure	4-12
Selecting the Measurement Mode	4-12
Performing a Calibration	4-13
DTF Measurement (Determining the Length of the Cable)	4-14
Setting the Amplitude Scale	4-14
Setting the Marker	4-14
DTF Measurement (Determining the quality of the cable.)	4-16
Setting the Amplitude Scale	4-16
Setting the Markers	4-16
Making Power Measurements	4-18
Entering Power Monitor Mode	4-18
Zeroing the Power Monitor	4-18
Measuring High Input Power Levels	4-18
Displaying Power in dBm and Watts	4-18
Displaying Relative Power	4-18
Making a Measurement with the Spectrum Analyzer	4-19
Example – Measuring a 900 MHz signal	4-19
Set the Site Master to Spectrum Analyzer mode	4-19
Set the center frequency	4-19
Set the frequency span	4-20
Setting the marker	4-20
Set the Reference Level	4-21

Chapter 5 - Software Tools	
Program	5-1
Description	5-1
Requirements	5-1
Communication Port Setting.	5-1
Changing COM Port Settings–Windows 95/98/NT	5-1
Software Installation	5-3
Plot Capture.	5-3
Capture multiple traces to a database.	5-4
Capture single or multiple traces to PC screen.	5-4
Program Operation.	5-5
Fault Location Software	5-5
Smith Chart Software	5-5
Saving a Plot as a Windows Metafile or as a Spreadsheet File	5-6
Pasting a Plot in Graphic or Spreadsheet Format	5-6
Saving Data to a Database	5-6
“Drag-n-Drop”	5-6
Printing	5-7
Appendix A - Reference Data	A-1
Coaxial Cable Technical Data.	A-1

Chapter 1

General Information

Introduction

This chapter provides a description, performance specifications, optional accessories, preventive maintenance, and calibration requirements for the Site Master models S113B, S114B, S331B, and S332B. Throughout this manual, the term Site Master will refer to the models S113B, S114B, S331B, and S332B.



1

Model	Frequency Range
S113B	5 to 1200 MHz
S114B	5 to 1200 MHz, 100 kHz to 1200 MHz Spectrum Analysis
S331B	25 to 3300 MHz
S332B	25 to 3300 MHz, 100 kHz to 3000 MHz Spectrum Analysis

Description

The Site Master is a hand held SWR/RL (standing wave ratio/return loss), and Distance-To-Fault (DTF) measurement instrument that includes a built-in synthesized signal source. All models include a keypad to enter data and a liquid crystal display (LCD) to provide graphic indications of SWR or RL over the selected frequency range and selected distance. The Site Master is capable of up to 2.5 hours of continuous operation from a fully charged field-replaceable battery and can be operated from a 12.5 dc source. Built-in energy conservation features can be used to extend battery life over an eight-hour work day.

The Site Master is designed for measuring SWR, return loss, or cable insertion loss and locating faulty RF components in antenna systems. Power monitoring is available as an option. Site Master models S114B and S332B include spectrum analysis capability. The displayed trace can be scaled or enhanced with frequency markers or a limit line. A menu option provides for an audible “beep” when the limit value is exceeded. To permit use in low-light environments, the LCD can be back lit using a front panel key.

Standard Accessories

The Software Tools PC-based software program provides a database record for storing measurement data. Site Master Software Tools can also convert the Site Master display to a Microsoft Windows™ 95/98/NT workstation graphic. Measurements stored in the Site Master internal memory can be downloaded to the PC using the included null-modem serial cable. Once stored, the graphic trace can be displayed, scaled, or enhanced with markers and limit lines. Historical graphs can be overlaid with current data, and underlying data can be extracted and used in spreadsheets or for other analytical tasks.

The Site Master Software Tools program also performs DTF (Distance To Fault) and Fault Location.

The following items are supplied with the basic hardware.

- Soft Carrying Case
- AC-DC Adapter
- Automotive Cigarette Lighter 12 Volt DC Adapter,
- CDROM disk containing the Software Tools program. This program contains Fault Location (DTF) and Smith Chart functions
- Serial Interface Cable (null modem type)
- One year Warranty (includes battery, firmware, and software)
- User's Guide

Options

- Option 5 — Add RF Wattmeter Power Monitor

Optional Accessories

- Anritsu Precision N (m) Open/Short/Load, 42 dB, Part No. OSLN50LF
- Anritsu Precision N (f) Open/Short/Load, 42 dB, Part No. OSLNF50LF
- Anritsu Precision N (m) Short/Open, Part No. 22N50
- Anritsu Precision N (f) Short/Open, Part No. 22NF50
- Site Master Precision N (m) Load, 42 dB, Part No. SM/PL
- Site Master Precision N (f) Load, 42 dB, Part No. SM/PLNF
- 7/16 (m) Precision Open/Short/Load, Part No. 2000-767
- 7/16 (f) Precision Open/Short/Load, Part No. 2000-768
- Adapter, Precision N (m) to N (m), Part No. 34NN50A
- Adapter, Precision N (f) to N (f), Part No. 34NFN50
- Adapter, 7/16 (f) to N (m), Part No. 510-90
- Adapter, 7/16 (f) to N (f), Part No. 510-91
- Adapter, 7/16 (m) to N (m), Part No. 510-92
- Adapter, 7/16 (m) to N (f), Part No. 510-93
- Adapter, 7/16 DIN (m) to 7/16 DIN (m), Part No. 510-96
- Adapter, 7/16 DIN (f) to 7/16 DIN (f), Part No. 510-97
- Armored Test Port Extension Cable, 1.5 meter, N (m) to N (f), Part No. 15NNF50-1.5A
- Armored Test Port Extension Cable, 3.0 meter, N (m) to N (f), Part No. 15NNF50-3.0A
- Armored Test Port Extension Cable, 5.0 meter, N (m) to N (f), Part No. 15NNF50-5.0A
- Armored Test Port Extension Cable, 1.5 meter, N (m) to N (m), Part No. 15NN50-1.5A

- Armored Test Port Extension Cable, 3.0 meter, N (m) to N (m), Part No. 15NN50-3.0A
- Armored Test Port Extension Cable, 5.0 meter, N (m) to N (m), Part No. 15NN50-5.0A
- Armored Test Port Extension Cable, 1.5 meter, N (m) to 7/16 DIN (f), Part No. 15NDF50-1.5A
- Armored Test Port Extension Cable, 1.5 meter, N (m) to 7/16 DIN (m), Part No. 15ND50-1.5A
- RF Detector, 1 to 3000 MHz, N(m) input connector, 50 Ohms, Part No. 5400-71N50
- Transit Case for Site Master, Part No. 760-215A
- Antenna SMA (f), 50 Ω , 1.71 to 1.88 GHz, Part No. 2000-1030
- Antenna SMA (f), 50 Ω , 1.85 to 1.99 GHz, Part No. 2000-1031
- Antenna SMA (f), 50 Ω , 2.4 to 2.5 GHz, Part No. 2000-1032
- Antenna SMA (f), 50 Ω , 806 to 869 MHz, Part No. 2000-1034
- Antenna SMA (f), 50 Ω , 896 to 941 MHz, Part No. 2000-1035
- HP Deskjet 340 Printer, Part No. 2000-766
- Serial-to-Parallel Converter Cable (use with the HP 340 Printer), Part No. 2000-753
- Seiko DPU-414 Thermal Printer, Part No. 2000-754 (U.S.) or 2000-761 (Europe)
- US Adapter (use with the DPU-414 Printer), Part No. 2000-1002
- Europe Adapter (use with the DPU-414 Printer) Part No. 2000-1003
- Battery Pack (use with the DPU-414 Printer) Part No. 2000-1004
- Serial Interface Cable (use with the DPU-414 Printer), Part No. 2000-10012
- Thermal Paper (use with the DPU-411/DPU-414 Printer), Part No. 2000-755
- Rechargeable Battery, NiMH Part No. 633-27
- Battery Charger, NiMH only Part No. 2000-1029

Performance Specifications

Performance specifications are provided in Table 1-1, on the following page.

Chapter 1 General Information

Table 1-1. Performance Specifications (1 of 2)

Specifications are valid when the unit is calibrated at ambient temperature after a 5 minute warmup.

<u>Description</u>	<u>Value</u>
Site Master:	Frequency Range:
S113B, S114B	5 to 1200 MHz
S331B, S332B	25 to 3300 MHz
Frequency Accuracy (RF Source Mode)	75 parts per million @ 25°C*
Frequency Resolution	
S113B, S114B	10 kHz
S331B, S332B	100 kHz
SWR:	
Range	1.00 to 65.00
Resolution	0.01
Return Loss:	
Range	0.00 to 54.00 dB
Resolution	0.01 dB
**Distance-To-Fault (DTF):	
Range (in meters)	0 to (Resolution x dp)
Resolution (in meters)	$(1.5 \times 10^8)(V_f)$
(Rectangular Windowing)	ΔF
	Where V_f is the relative propagation velocity of the cable .
	dp is the number of data points (128, 256, 512).
	ΔF is $F_2 - F_1$ (in Hz.)
Wattmeter Power Monitor:	
Range	-80.0 to +80 dBm or 10.0 pW to 100.0 kW
Offset Range	0 to +60.0 dB
Resolution	0.1 dB or 0.1 xW
Test Port, Type N	50 Ohms
***Immunity to Interfering signals up to the level of: S113B, S114B S331B, S332B	+10 dBm, reflection -5 dBm, reflection
Maximum Input (Damage Level):	
Test Port, Type N	+22 dBm
RF Detector	+20 dBm
Measurement Accuracy:	
Measurement accuracy depends on calibration components. Precision calibration components have a directivity of 42 dB.	
Cable Insertion Loss:	
Range	0.00 to 54.00 dB
Resolution	0.01 dB
Spectrum Analyzer:	Frequency Range
S114B	100 kHz to 1200 MHz
S332B	100 kHz to 3000 MHz
Frequency Reference	
Aging	±1 ppm/yr
Accuracy	±2 ppm

Table 1-2. Performance Specifications (2 of 2)

Frequency Span	
S114B	0 Hz (zero span) 100 kHz to 1200 MHz
S332B	0 Hz (zero span) 100 kHz to 3000 MHz
Sweep Time	0.5 sec.
Resolution Bandwidth	10 kHz, 30 kHz, 100 kHz, 1 MHz
Accuracy	± 20% typical
Video Bandwidth	3 kHz, 10 kHz, 30 kHz and 300 kHz
SSB Phase Noise	
@ (1 GHz) 30 kHz offset	≤ -75 dBc/Hz
Spurious Responses	
Input Related	≤ -45 dBc
Spurious Residual Responses	≤ -95 dBm
Note: 10 kHz resolution bandwidth, input terminated, no attenuation	
Amplitude	
Measurement Range	-90 dBm to +20 dBm typical
Dynamic Range	≥ 60 dB typical
Maximum Safe Input Level	+20 dBm, maximum measurable safe input +27 dBm, maximum damage +27 dBm, peak pulse power +50 Vdc
Displayed Average Noise Level:	≤ -90 dBm (400 kHz span) typical
Display Range	
Log Scale	2 to 15 dB/div. In 1 dB steps. Ten divisions displayed.
Frequency Response	
RF Input VSWR	2.0:1
Resolution (Ref. Level)	1.0 dB
Total Level Accuracy	±2 dB ≥ 200 kHz, ±3 dB <200 kHz typical
General	
Internal Memory:	
Trace Memory	200 maximum
Instrument config.	10 setup locations
RS-232	9 pin D-sub, three wire serial
Electromagnetic Compatibility	Meets European community requirements for CE marking
Power Supply:	
External DC Input	+11 to +15 Vdc, 1250 mA max.
Temperature:	
Storage	-20° C to 75° C
Operation	0° C to 50° C
Weight:	1.82 kg (4.0 pounds)
Dimensions:	25.4 x 17.8 x 6.1 cm (10 x 7 x 2.4 inches)

* ±2 ppm/Δ°C from 25°C

** Fault location is accomplished by inverse Fourier Transformation of data taken with the Site Master. Resolution and maximum range depend on the number of frequency data points, frequency sweep range and relative propagation velocity of the cable being tested.

Preventive Maintenance

Site Master preventive maintenance consists of cleaning the unit and inspecting and cleaning the RF connectors on the instrument and all accessories.

Clean the Site Master with a soft, lint-free cloth dampened with water or water and a mild cleaning solution.

CAUTION: To avoid damaging the display or case, do not use solvents or abrasive cleaners.

Clean the RF connectors and center pins with a cotton swab dampened with denatured alcohol. Visually inspect the connectors. The fingers of the N (f) connectors and the pins of the N (m) connectors should be unbroken and uniform in appearance. If you are unsure whether the connectors are good, gauge the connectors to confirm that the dimensions are correct.

Visually inspect the test port cable(s). The test port cable should be uniform in appearance, not stretched, kinked, dented, or broken.

ESD Precautions

The Site Master, like other high performance instruments, is susceptible to ESD damage. Very often, coaxial cables and antennas build up a static charge, which, if allowed to discharge by connecting to the Site Master, may damage the Site Master input circuitry. Site Master operators should be aware of the potential for ESD damage and take all necessary precautions. Operators should exercise practices outlined within industry standards like JEDEC-625 (EIA-625), MIL-HDBK-263, and MIL-STD-1686, which pertain to ESD and ESDS devices, equipment, and practices.

As these apply to the Site Master, it is recommended to dissipate any static charges that may be present before connecting the coaxial cables or antennas to the Site Master. This may be as simple as temporarily attaching a short or load device to the cable or antenna prior to attaching to the Site Master. It is important to remember that the operator may also carry a static charge that can cause damage. Following the practices outlined in the above standards will insure a safe environment for both personnel and equipment.

Calibration

The Site Master is a field portable unit operating in the rigors of the test environment. An Open-Short-Load (OSL) calibration should be performed prior to making a measurement in the field. A built-in temperature sensor in the Site Master advises the user, via an icon located on the right side of the LCD screen, that the internal temperature has exceeded a safety window, and the user is advised to perform another OSL calibration in order to maintain the integrity of the measurement.

NOTES:

For best calibration results—compensation for all measurement uncertainties—ensure that the Open/ Short/Load is at the end of the test port or optional extension cable; that is, at the same point that you will connect the antenna or device to be tested.

For best results, use a phase stable Test Port Extension Cable (see Optional Accessories). If you use a typical laboratory cable to extend the Site Master test port to the device under test, cable bending subsequent to the OSL calibration will cause uncompensated phase reflections inside the cable. Thus, cables which are NOT phase stable may cause measurement errors that are more pronounced as the test frequency increases.

For optimum calibration, Anritsu recommends using precision calibration components.

Annual Verification

Anritsu recommends an annual calibration and performance verification of the Site Master and the OSL calibration components by local Anritsu service centers. Anritsu service centers are listed in Table 1-2 on the following page.

The Site Master itself is self-calibrating, meaning that there are no field-adjustable components. However, the OSL calibration components are crucial to the integrity of the calibration and therefore, must be verified periodically to ensure performance conformity. This is especially important if the OSL calibration components have been accidentally dropped or over-torqued.

Table 1-2. Anritsu Service Centers

UNITED STATES

ANRITSU COMPANY
685 Jarvis Drive
Morgan Hill, CA 95037-2809
Telephone: (408) 776-8300
FAX: 408-776-1744

ANRITSU COMPANY
10 NewMaple Ave., Suite 305
Pine Brook, NJ 07058
Telephone: 973-227-8999
FAX: 973-575-0092

ANRITSU COMPANY
1155 E. Collins Blvd
Richardson, TX 75081
Telephone: 1-800-ANRITSU
FAX: 972-671-1877

AUSTRALIA

ANRITSU PTY. LTD.
Unit 3, 170 Foster Road
Mt Waverley, VIC 3149
Australia
Telephone: 03-9558-8177
FAX: 03-9558-8255

BRAZIL

ANRITSU ELECTRONICA LTDA.
Praia de Botafogo 440. Sala 2401
CEP22250-040, Rio de Janeiro, RJ,
Brasil
Telephone: 021-527-6922
FAX: 021-53-71-456

CANADA

ANRITSU INSTRUMENTS LTD.
700 Silver Seven Road, Suite 120
Kanata, Ontario K2V 1C3
Telephone: (613) 591-2003
FAX: (613) 591-1006

CHINA (SHANGHAI)

ANRITSU ELECTRONICS CO LTD
2F, Rm. B, 52 Section Factory Bldg.
NO 516 Fu Te Road (N)
Waigaoqiao Free Trade Zone
Pudong, Shanghai 200131
PR CHINA
Telephone: 86-21-58680226
FAX: 86-21-58680588

FRANCE

ANRITSU S.A
9 Avenue du Quebec
Zone de Courtaboeuf
91951 Les Ulis Cedex
Telephone: 016-09-21-550
FAX: 016-44-61-065

GERMANY

ANRITSU GmbH
Grafenberger Allee 54-56
D-40237 Dusseldorf
Germany
Telephone: 0211-968550
FAX: 0211-968555

INDIA

MEERA AGENCIES (P) LTD
A-23 Hauz Khas
New Delhi, India 110 016
Telephone: 011-685-3959
FAX: 011-686-6720

ISRAEL

TECH-CENT, LTD
4 Raul Valenberg St.
Tel-Aviv, Israel 69719
Telephone: 972-36-478563
FAX: 972-36-478334

ITALY

ANRITSU Sp.A
Rome Office
Via E. Vittorini, 129
00144 Roma EUR
Telephone: (06) 50-2299-711
FAX: 06-50-22-4252

JAPAN

ANRITSU CUSTOMER SERVICE LTD.
1800 Onna Atsugi—shi
Kanagawa-Prf. 243 Japan
Telephone: 0462-96-6688
FAX: 0462-25-8379

KOREA

ANRITSU SERVICE CENTER
8F Sanwon Bldg.
1329-8 Seocho-Dong
Seocho-Ku
Seoul, Korea 137-070
Telephone: 82-2-581-6603
FAX: 82-2-582-6603

SINGAPORE

ANRITSU (SINGAPORE) PTE LTD
10, Hoe Chiang Road
#07-01/02
Keppel Towers
Singapore 089315
Telephone: 65-282-2400
FAX: 65-282-2533

SOUTH AFRICA

ETESCSA
12 Surrey Square Office Park
330 Surrey Avenue
Ferndale, Randburt, 2194
South Africa
Telephone: 011-27-11-787-7200
Fax: 011-27-11-787-0446

SWEDEN

ANRITSU AB
Botvid Center
Fittja Backe 13A
145 84
Stockholm, Sweden
Telephone: (08) 534-707-00
FAX: (08)534-707-30

TAIWAN

ANRITSU CO., LTD.
6F, No. 96, Section 3
Chien Kuo N. Road
Taipei, Taiwan, R.O.C.
Telephone: (02) 515-6050
FAX: (02) 509-5519

UNITED KINGDOM

ANRITSU LTD.
200 Capability Green
Luton, Bedfordshire
LU1 3LU, England
Telephone: 015-82-43-3200
FAX: 015-82-73-1303

Chapter 2

Getting Started

Introduction

The Nickel Metal Hydride (NiMH) Battery supplied with the Site Master is shipped in a discharged state. Before using the Site Master, the internal battery must first be charged for three hours, either in the Site Master or in the optional battery charger (Anritsu part number: 2000-1029).

Charging a New Battery

The NiMH battery supplied with the Site Master has already completed three charge and discharge cycles at the factory and full battery performance should be realized after your first charge.



NOTE: The battery will not charge if the battery temperature is above 45° C or below 0° C.

Charging the Battery in the Site Master

The battery can be charged while installed in the Site Master.

- Step 1.** Turn the Site Master off.
- Step 2.** Connect the AC-DC adapter (Anritsu part number: 40-115) to the Site Master charging port.
- Step 3.** Connect the AC adapter to a 120 VAC or 240 VAC power source as appropriate for your application.

The green external power indicator on the Site Master will illuminate, indicating the presence of external DC power, the battery charge indicator will light, and the battery will begin fast charging. The charging indicator will remain lit as long as the battery is fast charging. Once the battery is fully charged, the fast charging indicator will turn off and a trickle charge will be started to maintain battery capacity. If the battery fails to charge, contact your nearest Anritsu service center.

NOTE: If a battery is excessively discharged, it may require several hours of trickle charging before the charger will allow a fast charge. Switching to fast charge mode is not automatic. You must either cycle the power on and off, or disconnect and reconnect the AC-DC adapter.

Charging the Battery in the Optional Charger

Up to two batteries can be charged simultaneously in the optional battery charger.

- Step 1.** Remove the NiMH battery from your Site Master and place it in the optional charger (Anritsu part number 2000-1029).

- Step 2.** Connect the lead from the AC-DC adapter to the charger.
- Step 3.** Connect the AC-DC adapter to a 120 VAC or 240 VAC power source as appropriate for your application.

Each battery holder in the optional charger has an LED charging status indicator. The LED color changes as the battery is charged:

- Red indicates the battery is charging
- Green indicates the battery is fully charged
- Yellow indicates the battery is in a waiting state (see below).

A yellow light may occur because the battery became too warm during the charge cycle. The charger will allow the battery to cool off before continuing the charge. A yellow light may also indicate that the charger is alternating charge to each of the two batteries.

A blinking red light indicates less than 13 VDC is being supplied to the charger stand. Check that the correct AC charger adapter is connected to the charger stand. If the battery fails to charge, contact your nearest Anritsu Service Center.

Determining Remaining Battery Life

When the AC-DC adapter is disengaged, a battery indicator symbol is continuously displayed at the top-left corner of the display (Figure 2-1). A totally black bar within the battery icon indicates a fully charged battery. When LOW BATT replaces the battery indicator bar at the top left corner, a couple of minutes of measurement time remains. If a flashing LOW BATT is accompanied by an audio beep at the end of each trace, the battery has approximately one minute of useable time remaining.

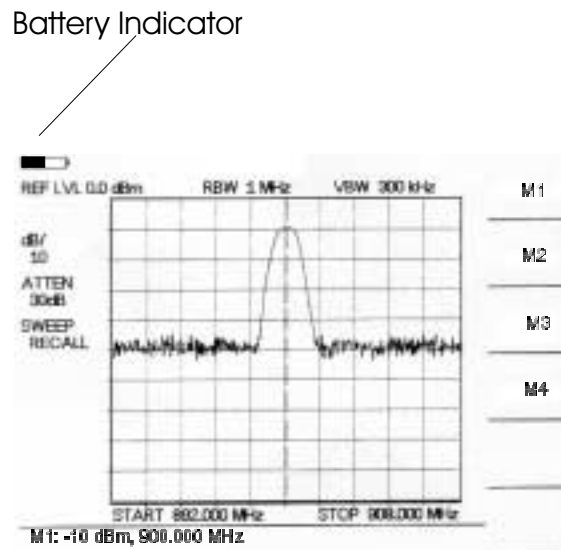


Figure 2-1. Site Master Battery Indicator

Once all the power has drained from the battery, the Site Master display will fade. At this point, your Site Master will switch itself off and the battery will need to be recharged.

During operation, the battery condition can be viewed by pressing the SYS key and selecting the SELF TEST soft key. The battery condition will be displayed as a percentage of charge remaining.

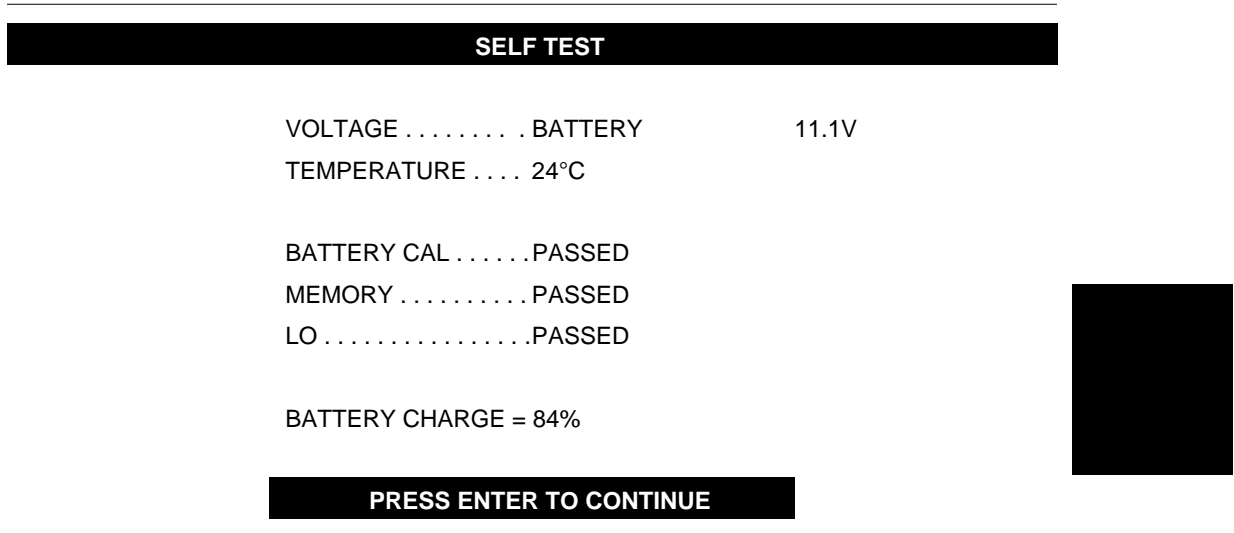


Figure 2-2. Self Test Battery Condition Display

Battery Life

The NiMH battery will last longer and perform better if allowed to completely discharge before recharging. For maximum battery life, it is recommended that the NiMH battery be completely discharged and recharged once every three months.

It is normal for NiMH batteries to self-discharge during storage, and to degrade to 80% of original capacity after 12 months of continuous use.

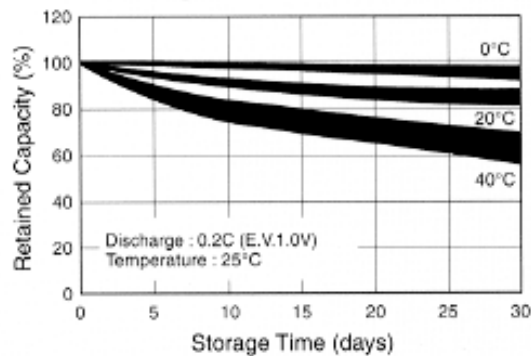


Figure 2-3. NiMH Battery Storage Characteristics

The battery can be charged and discharged 300 to 500 times, but it will eventually wear out. The battery may need to be replaced when the operating time between charging is noticeably shorter than normal.

Important Battery Information

- With a new NiMH battery, full performance is achieved after three to five complete charge and discharge cycles. The NiMH battery supplied with the instrument has already completed three charge and discharge cycles at the factory.
- Recharge the battery only in the instrument or in an Anritsu approved charger.
- When the instrument or the charger is not in use, disconnect it from the power source.
- Do not charge batteries for longer than 24 hours; overcharging may shorten battery life.
- If left unused a fully charged battery will discharge itself over time. Storing the battery in extreme hot or cold places will reduce the capacity and lifetime of the battery. The battery will discharge faster at higher ambient temperatures.
- Discharge an NiMH battery from time to time to improve battery performance and battery life.
- The battery can be charged and discharged hundreds of times, but it will eventually wear out.
- The battery may need to be replaced when the operating time between charging is noticeably shorter than normal.
- If a battery is allowed to totally discharge, the smart-memory capability of the battery may be lost, resulting in incorrect battery capacity readings or loss of communication with the battery.
- Do not short-circuit the battery terminals.
- Do not drop, mutilate or attempt to disassemble the battery.
- Never use a damaged or worn out charger or battery.
- Always use the battery for its intended purpose only.
- Temperature extremes will affect the ability of the battery to charge: allow the battery to cool down or warm up as necessary before use or charging.
- Batteries must be recycled or disposed of properly. Do not place batteries in garbage.
- Do not dispose of batteries in a fire.

Chapter 3

Functions and Operations

Introduction

This chapter provides a brief overview of the Site Master functions and operations, providing the user with a starting point for making basic measurements. For more detailed information, refer to Chapter 4, *Measurements* and Chapter 5, *Software Tools*.

The Site Master is designed specifically for field environments and applications requiring mobility. As such, it is a lightweight, handheld, battery operated unit which can be easily carried to any location, and is capable of up to 2.5 hours of continuous operation from a fully charged battery. Built-in energy conservation features allow battery life to be extended over an eight-hour workday. The Site Master can also be powered by a 12.5 Vdc external source. The external source can be either the Anritsu AC-DC Adapter (P/N 40-115) or 12.5 Vdc Automotive Cigarette Lighter Adapter (P/N 806-62). Both items are standard accessories.



Front Panel Overview

The Site Master menu-driven user interface is easy to use and requires little training. Mode, Frequency, Amplitude and Sweep function keys are located just below the display and are easily configured for optimum measurements. Selection of one of these keys brings up a function-specific menu on the right hand side of the display. The softkeys adjacent to the display provide access to the various menu items (See Figure 3-1).

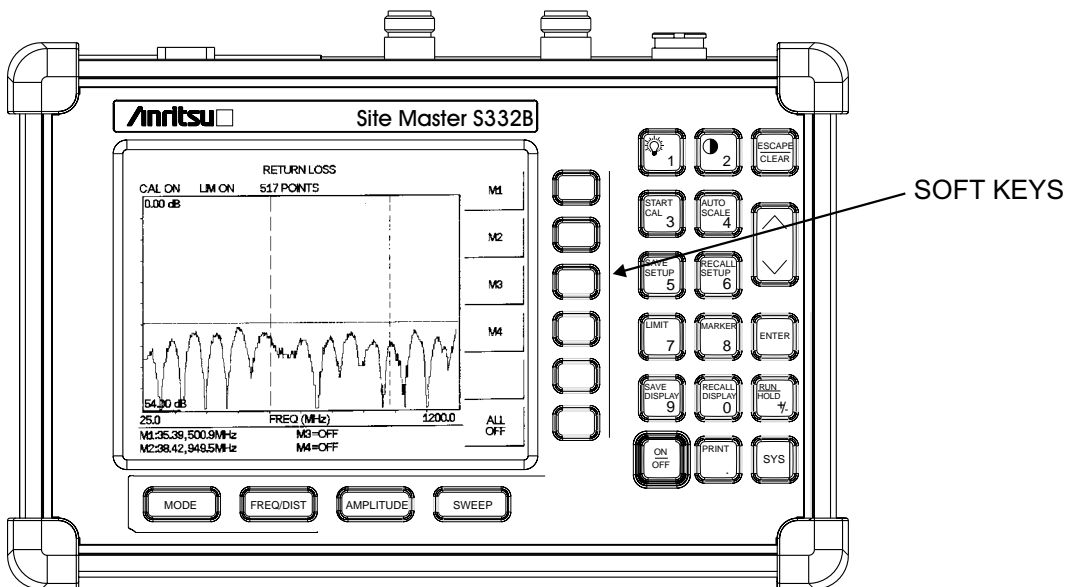


Figure 3-1. Site Master Soft Keys

Test Connector Panel

The connectors and indicators located on the test panel are listed and described below.

12.5-15VDC (1100 mA) 12.5 to 15 Vdc @ 1100 mA input to power the unit or for battery charging.

WARNING

When using the AC-DC Adapter, always use a three-wire power cable connected to a three-wire power line outlet. If power is supplied without grounding the equipment in this manner, there is a risk of receiving a severe or fatal electric shock.

Battery Charging Illuminates when the battery is being charged. The indicator automatically shuts off when the battery is fully charged.

External Power Illuminates when the Site Master is being powered by the external charging unit.

Serial Interface RS232 DB9 interface to a COM port on a personal computer (for use with the Anritsu Software Tools program) or to a supported printer.

RF Out RF output, 50 Ω impedance, for reflection measurements.

RF In RF input for spectrum analysis measurements.

RF Detector RF detector input for the Power Monitor.

CAUTION: *Site Master operators should be aware of the potential for ESD damage and take all necessary precautions to minimize exposure of the Site Master to electrostatic discharge.*

The following precautions will help minimize electrostatic discharge exposure to the Site Master:

- Never touch the center pin of the RF connector of the Site Master, or the center conductor of an antenna when it is connected to the Site Master.
- Connect a jumper between the center pin of the coaxial cable or antenna and ground to discharge any possible static charge before connecting the cable or antenna to the Site Master.

Keypad Controls

This section contains an alphabetical listing of the Site Master front panel keypad controls along with a brief description of each. More detailed descriptions of the major function keys follow.



Turns the liquid crystal display (LCD) back-lighting ON or OFF. (Leaving back lighting off conserves battery power.)



LCD Contrast adjust. Use the Up/Down arrow key and **ENTER** to adjust the display contrast.

AMPLITUDE Displays the amplitude or scale menu of the current operating mode.

NOTE:
The **AMPLITUDE** and **LIMIT** keys are functionally identical.

AUTO SCALE Automatically scales the display for optimum resolution.

ENTER Implements certain menu and key selections.

ESCAPE CLEAR Exits the present operation or clears the display. If a parameter is being edited, pressing this key will clear the value currently being entered and restore the last valid entry. Pressing this key again will close the parameter. During normal sweeping, pressing this key will move up one menu level.

FREQ/DIST Displays the Frequency or Distance menu depending on the measurement mode.

LIMIT Displays the amplitude or scale menu of the current operating mode.

MARKER Displays the marker menu of the current operating mode.

MODE Opens the mode selection box (below). Use the Up/Down arrow key to select a mode. Press the **ENTER** key to implement.

MEASUREMENT MODE	
FREQ -	SWR
RETURN LOSS	
	CABLE LOSS - ONE PORT
DTF -	SWR
	RETURN LOSS
	POWER MONITOR
	SPECTRUM ANALYZER

Figure 3-2. Mode Selection Box

ON Turns the Site Master on or off. When turned on, the system state at the last
OFF turn-off is restored. If the **ESCAPE/CLEAR** key is held down, the factory preset state is restored.

PRINT Prints the current display to the selected printer via the RS232 serial port.

RECALL Recalls a previously saved trace from memory. When the key is pressed, a Re-
DISPLAY call Trace selection box appears on the display. Select a trace using the Up/Down arrow key and press the **ENTER** key to implement.

To erase a saved trace, highlight the trace and select the **DELETE TRACE** softkey. To erase all saved traces, select the **DELETE ALL TRACES** softkey.

RECALL Recalls a previously saved setup from memory location 1 through 10. When the
SETUP key is pressed, a **RECALL SETUP** selection box appears on the display. Select a setup using the Up/Down arrow key and press the **ENTER** key to implement. Setup 0 recalls the factory preset state.

RUN When in the Hold mode, this key starts the Site Master sweeping and provides a
HOLD Single Sweep Mode trigger; when in the Run mode, it pauses the sweep. When in the Hold mode, the hold symbol (page 3-21) appears on the LCD. Hold mode conserves battery power.

SAVE Saves up to 200 displayed traces to non-volatile memory. When the key is
DISPLAY pressed, **TRACE NAME:** appears in the lower left of the display. Save the display with up to 16 alphanumeric characters for that trace name and press the **ENTER** key to implement.

SAVE Saves the current system setup to 1 of 10 internal non-volatile memory loca-
SETUP tions. When the key is pressed, a **SAVE SETUP** selection box appears on the display. Use the Up/Down arrow key to select a setup and press the **ENTER** key to implement.

START Starts the calibration in SWR, Return Loss, Cable Loss, or DTF measurement
CAL modes (not available in Spectrum Analyzer mode). Follow the text in the lower left message area that instructs you to do the following:

- CONNECT OPEN TO RF out PORT**, Press **ENTER**
The Site Master then measures the calibration “open” that you must attach to the end of the test port or transmission line.
- CONNECT SHORT TO RF out PORT**, Press **ENTER**
The Site Master then measures the calibration “short” that you must attach to the end of the test port or transmission line.
- CONNECT TERMINATION TO RF out PORT**, Press **ENTER**
The Site Master then measures the 50Ω termination (load) that you must attach to the end of the test port or transmission line.

NOTE:
The combined measurements of an open, a short, and a known-impedance load normalizes the measurement system to account for uncertainties introduced by measurement-system components (e.g., cables, connectors, etc.).

SWEEP	Displays the Sweep function soft key menu for the current operating mode.
SYS	Displays the System menu softkey selections.
Up/Down Arrow Key	Increments or decrements a parameter value or chooses an item from a list which can then be selected with the ENTER key.

NOTE:
At turn on, before any other keys are pressed, the Up/Down arrow key may be used to adjust display contrast.



Soft Keys

Each keypad key opens a set of soft key selections. Each of the soft keys has a corresponding soft key label area on the display. The label identifies the function of the soft key for the current Mode selection.

NOTE:
The *AMPLITUDE* and *LIMIT* keys are functionally identical.

Figures 3-3 through 3-6 show the soft key labels for each Mode selection.

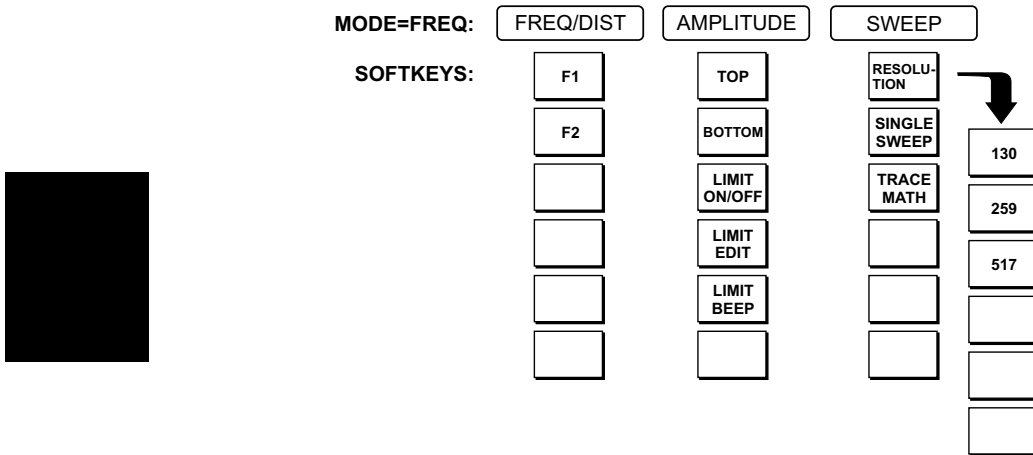


Figure 3-3. Frequency Mode Soft Key Labels

MODE=POWER MONITOR:

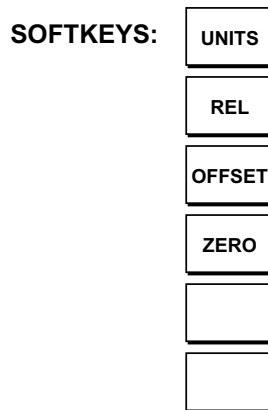


Figure 3-4. Power Monitor Mode Soft Key Labels

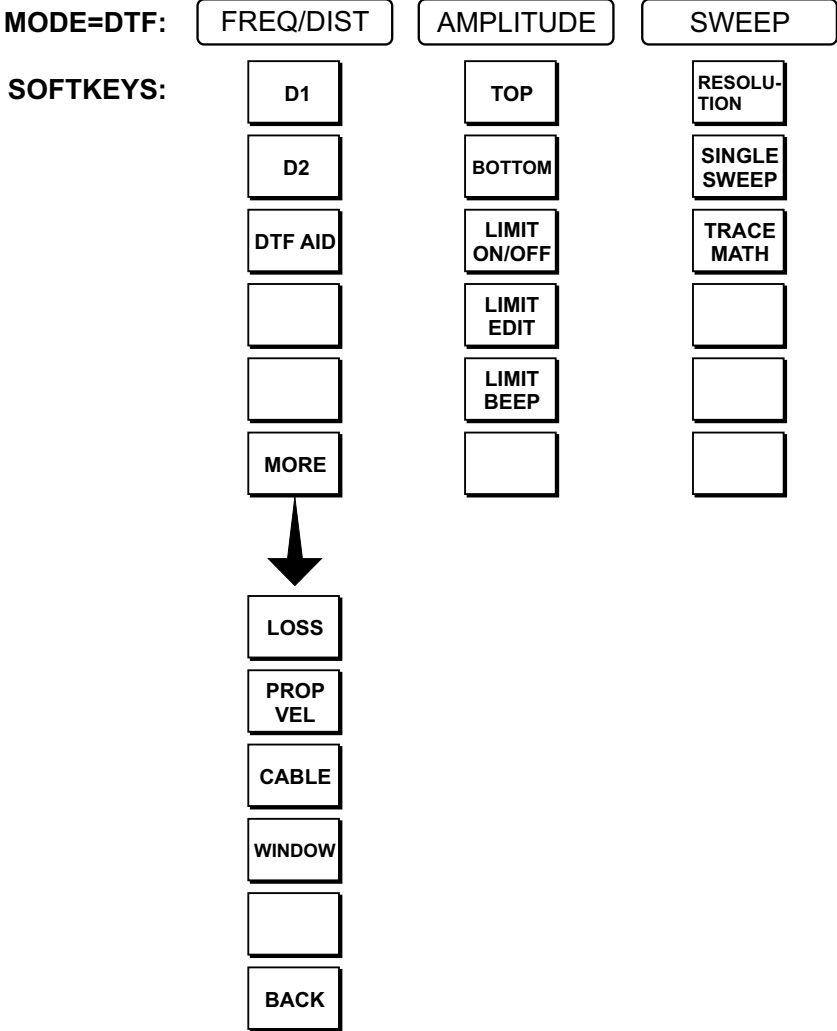


Figure 3-5. Distance to Fault Mode Soft Key Labels

- FREQ/DIST** Displays the frequency or distance menu depending on the measurement mode.
- Frequency Menu** Provides for setting sweep frequency end points when **FREQ** mode is selected. Selected frequency values may be changed using the keypad or Up/Down arrow key.
- ❑ **F1** — Opens the F1 parameter for data entry. This is the start value for the frequency sweep. Press **ENTER** when data entry is complete.
 - ❑ **F2** — Opens the F2 parameter for data entry. This is the stop value for the frequency sweep. Press **ENTER** when data entry is complete.
- Distance Menu** Provides for setting Distance to Fault parameters when a DTF mode is selected. Choosing **DIST** causes the soft keys, below, to be displayed and the corresponding values to be shown in the message area. Selected distance values may be changed using the keypad or Up/Down arrow key.
- ❑ **D1** — Opens the start distance (D1) parameter for data entry. This is the start value for the distance range. Press **ENTER** when data entry is complete.
 - ❑ **D2** — Opens the end distance (D2) parameter for data entry. This is the end value for the distance range. Press **ENTER** when data entry is complete.
 - ❑ **DTF AID** — Provides interactive help to optimize DTF set up parameters. You will be prompted for system parameter values of maximum distance, frequency span, and propagation velocity.
 - ❑ **MORE** — Selects the Distance Sub-Menu, detailed below.
- Distance Sub-Menu** Provides for setting the cable loss and relative propagation velocity of the coaxial cable. Selected values may be changed using the Up/Down arrow key or keypad.
- ❑ **LOSS** — Opens the Cable Loss parameter for data entry. Enter the loss per foot (or meter) for the type of transmission line being tested. Press **ENTER** when data entry is complete. (Range is 0.000 to 5.000 dB/m)
 - ❑ **PROP VEL** (relative propagation velocity) — Opens the Propagation Velocity parameter for data entry. Enter the propagation velocity for the type of transmission line being tested. Press **ENTER** when data entry is complete. (Range is 0.010 to 1.000)
 - ❑ **CABLE** — Opens a common coaxial cable folder and custom coaxial cable folder. Select either folder and use the Up/Down arrow key and **ENTER** key to make a selection. This feature provides a rapid means of setting both cable loss and propagation velocity. (Refer to Appendix A for a listing of common coaxial cables showing values for “Relative Propagation Velocity” and “Nominal Attenuation in dB/m @ 1000 MHz”.) The custom cable folder consists of up to 24 user-defined cable parameters downloaded via the Site Master Software Tools program.
 - ❑ **WINDOW** — Opens a menu of FFT windowing types for the DTF calculation. Scroll the menu using the Up/Down arrow key and make a selection with the **ENTER** key.

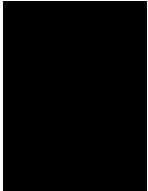


NOTE: Using windowing:

The theoretical requirement for inverse FFT is for the data to extend from zero frequency to infinity. Side lobes appear around a discontinuity due to the fact that the spectrum is cut off at a finite frequency. Windowing reduces the side lobes by smoothing out the sharp transitions at the beginning and end of the frequency sweep. As the side lobes are reduced the main lobe widens thereby reducing the resolution.

In situations where there may be a small discontinuity close to a large one, side lobe reduction Windowing should be used. When distance resolution is critical Windowing can be reduced. The types of Windowing in order of increasing side lobe reduction are: rectangular, nominal side lobe, low side lobe, minimum side lobe. Figures 3-7 thru 3-10, on pages 3-11 and 3-12, are examples of the types of Windowing.

□ **BACK** — Returns to the Distance Menu.



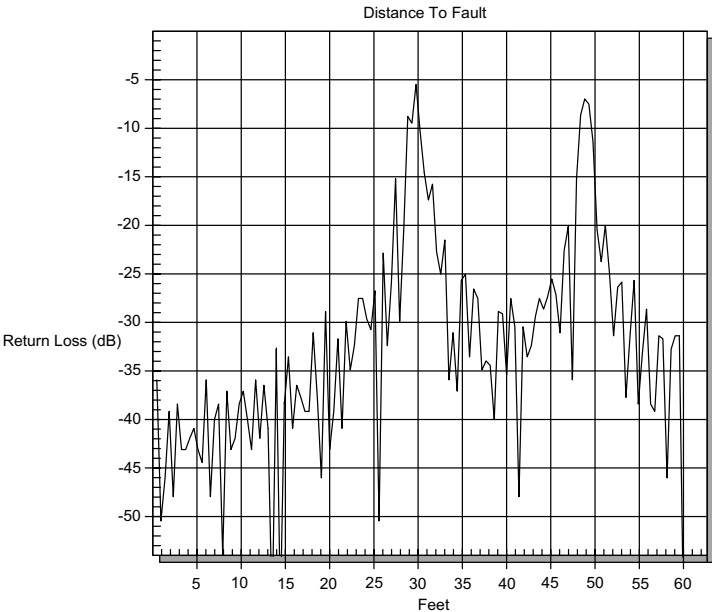


Figure 3-7. Rectangular Windowing Example

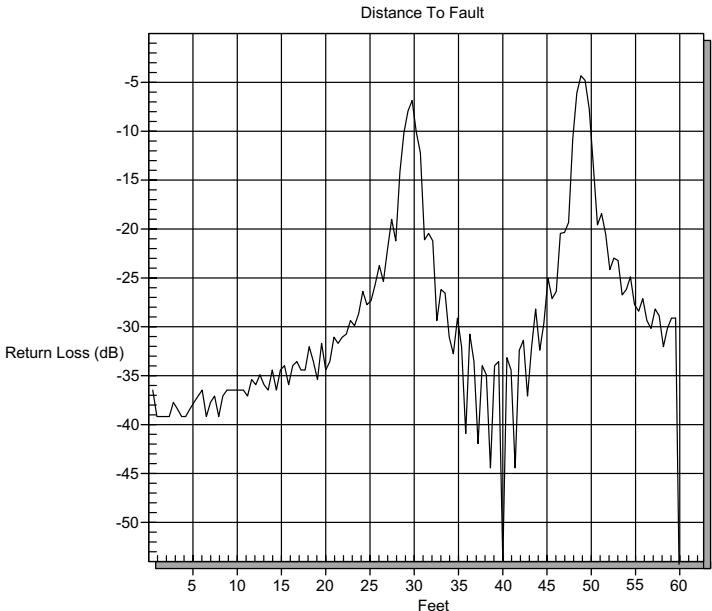
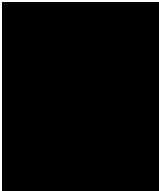


Figure 3-8. Nominal Side Lobe Windowing Example

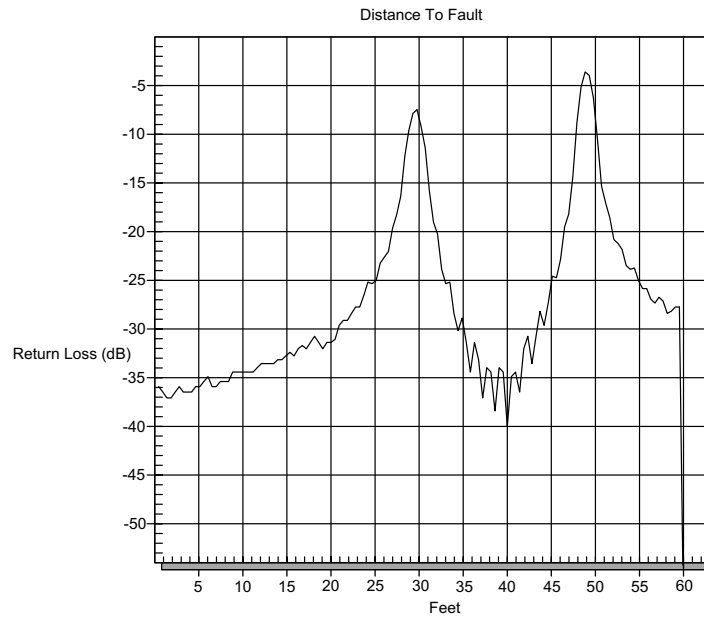


Figure 3-9. Low Side Lobe Windowing Example

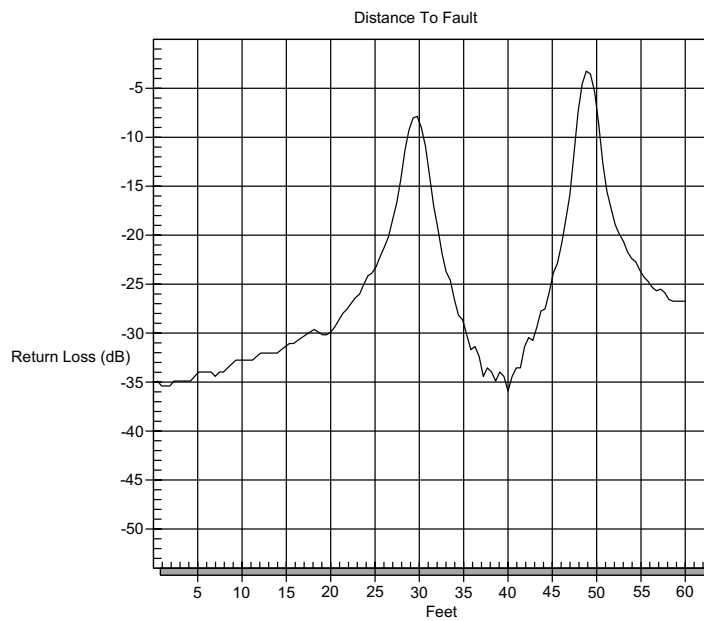


Figure 3-10. Minimum Side Lobe Windowing Example

Choosing **FREQ/DIST** in Spectrum Analyzer mode causes the soft keys, below, to be displayed and the corresponding values to be shown in the message area.

- ❑ **CENTER** — Sets the center frequency of the Spectrum Analyzer display . Enter a value using the Up/Down arrow key or keypad, press **ENTER** to accept, **ESCAPE** to restore previous value.
- ❑ **SPAN** — Sets the user-defined frequency span. Use the Up/Down arrow key or keypad to enter a value in MHz. Also brings up **FULL** and **ZERO** softkeys.
 - ❑ **FULL** span sets the Spectrum Analyzer to its maximum frequency span.
 - ❑ **ZERO** span sets the span to 0 Hz. This displays the input signal in an amplitude versus time mode, which is useful for viewing modulation.
- ❑ **START** — Sets the Spectrum Analyzer in the START-STOP mode. Enter a start frequency value (in MHz) using the Up/Down arrow key or keypad, press **ENTER** to accept, **ESCAPE** to restore.
- ❑ **STOP** — Sets the Spectrum Analyzer in the START-STOP mode. Enter a stop frequency value (in MHz) using the Up/Down arrow key or keypad, press **ENTER** to accept, **ESCAPE** to restore.



AMPLITUDE Displays the amplitude or scale menu depending on the measurement mode.

Amplitude Menu Provides for changing the display scale. Selected values may be changed using the Up/Down arrow key or keypad.

Choosing **AMPLITUDE** in **FREQ** or **DTF** measurement modes causes the soft keys, below, to be displayed and the corresponding values to be shown in the message area.

Pressing the **LIMIT** key on the keypad will also call up this menu.

- ❑ **TOP** — Opens the top parameter for data entry and provides for setting the top scale value. Press **ENTER** when data entry is complete.
- ❑ **BOTTOM** — Opens the bottom parameter for data entry and provides for setting the bottom scale value. Press **ENTER** when data entry is complete.
- ❑ **LIMIT ON/OFF** — Turns Limit OFF, if currently ON. If Limit is currently OFF, turns it ON and opens the Limit parameter for data entry. Press **ENTER** when data entry is complete.
- ❑ **LIMIT EDIT** — Opens the Limit Line for data entry using the Up/Down arrow key or key pad entry. Press **ENTER** when data entry is complete.
- ❑ **LIMIT BEEP** — Toggles the Limit beep sound on or off. When on, the Site Master sounds a beep when the measured value is above the Limit Line.

Choosing **AMPLITUDE** in **SPECTRUM ANALYZER** mode causes the soft keys, below, to be displayed and the corresponding values to be shown in the message area.

- ❑ **REF LEVEL** — Activates the amplitude reference level functions that let the user adjust the reference level.
- ❑ **SCALE** — Use Up/Down arrow key or key pad entry to adjust the scale display from 2 to 15 dB/division, in one dB increments. Press **ENTER** when data entry is complete.
- ❑ **LIMIT ON/OFF** — Turns Limit OFF, if currently ON. If Limit is currently OFF, turns it ON and opens the Limit parameter for data entry. Press **ENTER** when data entry is complete.
- ❑ **LIMIT EDIT** — Opens the Limit Line for data entry using the Up/Down arrow key or key pad entry. Press **ENTER** when data entry is complete.

- SWEEP** Displays the Sweep function soft key menu for the current operating mode.
- Sweep Menu** Provides for changing the display resolution, single or continuous sweep, and access to the Trace Math functions.
- Choosing **SWEEP** in **FREQ** or **DTF** measurement modes causes the soft keys below to be displayed.
- RESOLUTION** — Opens the display to change the resolution. Choose 130, 259, or 517 data points. (Not active in DTF mode. In DTF mode, resolution can be adjusted through the DTF-AID table.)
 - SINGLE SWEEP** — Toggles the sweep between single sweep and continuous sweep. In single sweep mode, each sweep must be activated by the **RUN/HOLD** button.
 - TRACE MATH** — Opens up the Trace Math functions (trace-memory or trace+memory) for comparison of the real time trace in the display with any of the traces from memory. (Not available in DTF mode.)
- Choosing **SWEEP** in **SPECTRUM ANALYZER** mode causes the soft keys below to be displayed.
- RBW** — Activates the resolution bandwidth functions. They let users manually adjust the resolution's bandwidth to the desired value by scrolling using the **Up/Down** arrow key. Select desired value and press **ENTER** when complete.
 - VBW** — Activates the video bandwidth function. It lets users manually adjust the resolution's bandwidth to the desired value by scrolling using the **Up/Down** arrow key. Select desired value and press **ENTER** when complete.
 - MAX HOLD** — Activates the max hold function. It displays and holds the maximum response of the input signal trace.
 - CONT/SINGLE** — Toggles between continuous and single sweep.
 - OCC BW** — Activates the second level occupied bandwidth menu.
 - OCC BW** (second level)
 - METHOD** — Selects the method to be used, dB Down or % of Power.
 - %** — Enter the desired % of occupied bandwidth to be measured.
 - dBc** — Enter the desired power level (dBc) to be measured.
 - MEASURE** — Takes a measurement.
 - BACK** — Returns to the top-level **OCC BW** menu.

MARKER

Choosing **MARKER** causes the soft keys, below, to be displayed and the corresponding values to be shown in the message area. Selected frequency marker or distance marker values may be changed using the keypad or Up/Down arrow key.

- M1** — Selects the M1 marker parameter and opens the Markers second level menu.
- M2** — Selects the M2 marker parameter and opens the Markers second level menu.
- M3** — Selects the M3 marker parameter and opens the Markers second level menu.
- M4** — Selects the M4 marker parameter and opens the Markers second level menu.
- ALL OFF** — Turns all markers off.

**Markers
(second level)**

Provides for turning the selected marker on and off and for setting marker values. Selected frequency marker and distance marker values can be changed using the keypad or Up/Down arrow key.

Choosing **M1**, **M2**, **M3**, or **M4** in **FREQ** or **DTF** measurement modes causes the soft keys, below, to be displayed and the corresponding values to be shown in the message area.

- ON/OFF** — Turns the selected marker on or off.
- EDIT** — Opens the selected marker parameter for data entry. Press **ENTER** when data entry is complete or **ESCAPE** to restore the previous value.
- DELTA (Mx-M1)** — Displays delta amplitude value for as well as delta frequency or distance for the selected marker with respect to the M1 marker.
- MARKER TO PEAK** — Places the selected marker at the frequency or distance with the maximum amplitude value.
- MARKER TO VALLEY** — Places the selected marker at the frequency or distance with the minimum amplitude value.
- BACK** — Returns to the Main Markers Menu.

Choosing **M1**, **M2**, **M3**, or **M4** in **SPECTRUM ANALYZER** mode causes the soft key, described below, to be displayed in place of the above **MARKER TO VALLEY** softkey.

- MARKER FREQ TO CENTER** — Places the selected marker to the center of the Spectrum Analyzer display.

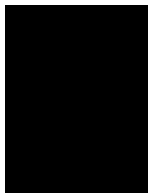
- SYS** Displays the System menu softkey selections.
- ❑ **OPTIONS** — Displays a second level of functions.
 - ❑ **CLOCK** — Displays a second level of functions.
 - ❑ **SELF TEST** — Start an instrument self test.
 - ❑ **STATUS** — Displays instrument status.
- OPTIONS**
- ❑ **UNITS** — Select the unit of measurement (English or metric).
 - ❑ **PRINTER** — Displays a menu of supported printers. Use the Up/Down arrow key and **ENTER** key to make the selection.
 - ❑ **FIXED CW** — Toggles the fixed CW function ON or OFF. When ON, F1 is set equal to F2 and a CW frequency is fixed at the selected value. When OFF, a narrow band of frequencies centered on the selected frequency is generated.
 - ❑ **CHANGE DATE FORMAT** — Toggles the date format between MM/DD/YY, DD/MM/YY, and YY/MM/DD.
- CLOCK**
- ❑ **HOUR** — Enter the hour (0-23) using the Up/Down arrow key or the keypad. Press **ENTER** when data entry is complete or **ESCAPE** to restore the previous value.
 - ❑ **MINUTE** — Enter the minute (0-59) using the Up/Down arrow key or the keypad. Press **ENTER** when data entry is complete or **ESCAPE** to restore the previous value.
 - ❑ **MONTH** — Enter the month (1-12) using the Up/Down arrow key or the keypad. Press **ENTER** when data entry is complete or **ESCAPE** to restore the previous value.
 - ❑ **DAY** — Enter the day using the Up/Down arrow key or the keypad. Press **ENTER** when data entry is complete or **ESCAPE** to restore the previous value.
 - ❑ **YEAR** — Enter the year (1997-2036) using the Up/Down arrow key or the keypad. Press **ENTER** when data entry is complete or **ESCAPE** to restore the previous value.
 - ❑ **BACK** — Returns to the top-level SYS menu.



Power Monitor Menu

Selecting **POWER MONITOR** from the Mode menu causes the soft keys, described below, to be displayed and the corresponding values shown in the message area.

- ❑ **UNITS** — Toggles between dBm and Watts.
- ❑ **REL** — Turns relative mode OFF, if currently ON. If relative mode is currently OFF, turns it ON and causes the power level to be measured and saved as the base level. Subsequent measurements are then displayed relative to this saved value. With units of dBm, relative mode displays dBr; with units of Watts, relative mode displays % (percent).
- ❑ **OFFSET** — Turns Offset OFF, if currently ON. If Offset is currently OFF, turns it ON and opens the Offset parameter for data entry. Press **ENTER** when data entry is complete.
Offset is the attenuation (in dB) inserted in the line between the DUT and the RF detector. The attenuation is added to the measured input level prior to display.
- ❑ **ZERO** — Turns Zero OFF, if currently ON. If Zero is currently OFF, this softkey turns it ON and initiates collection of a series of power level samples, which are averaged and saved. This saved value is then subtracted from subsequent measurements prior to display.



Printing

Printing is accomplished by selecting an available printer and pressing the print key as described below. Refer to the particular printer operating manual for specific printer settings.

Printing a Screen

Step 1. Connect the printer as shown in Figure 3-11.

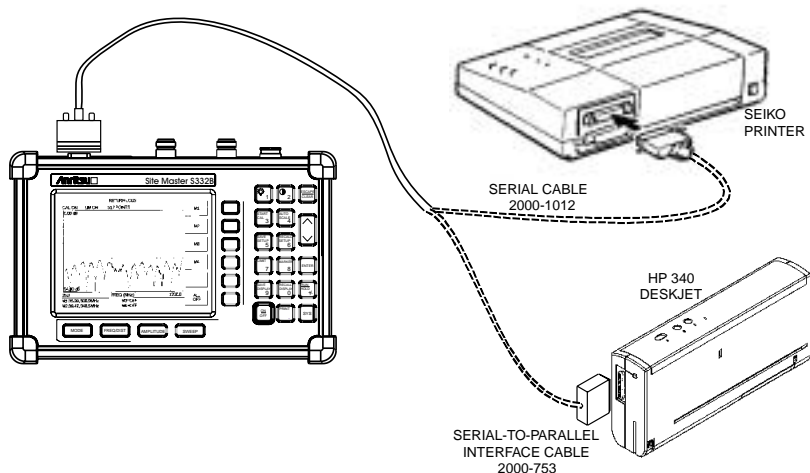


Figure 3-11. Site Master Printer Setup

Step 2. Obtain the desired measurement display

Step 3. Press the **SYS** key and the **OPTIONS** soft key (Figure 3-12).

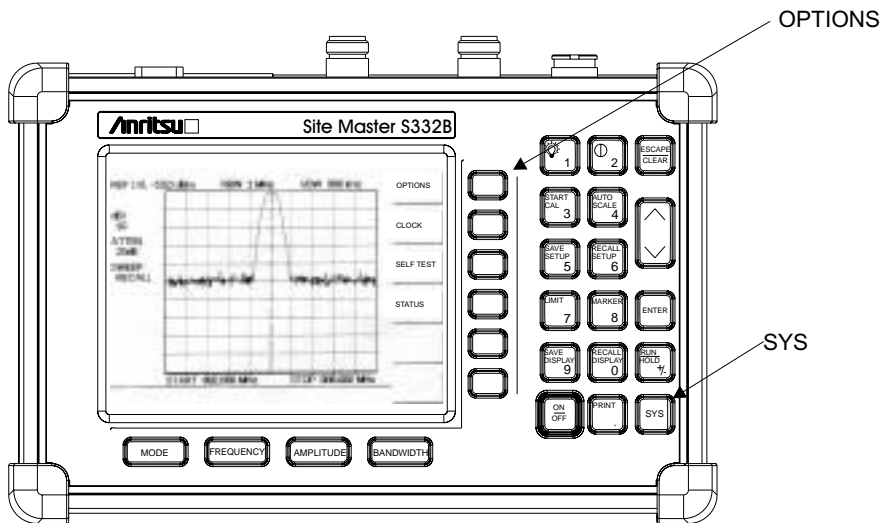


Figure 3-12. SYS Key and OPTIONS Soft Key

- Step 4.** Press the **PRINTER** soft key and select from the displayed menu of supported printers.
- Step 5.** Press the **PRINT** key. (Figure 3-13).

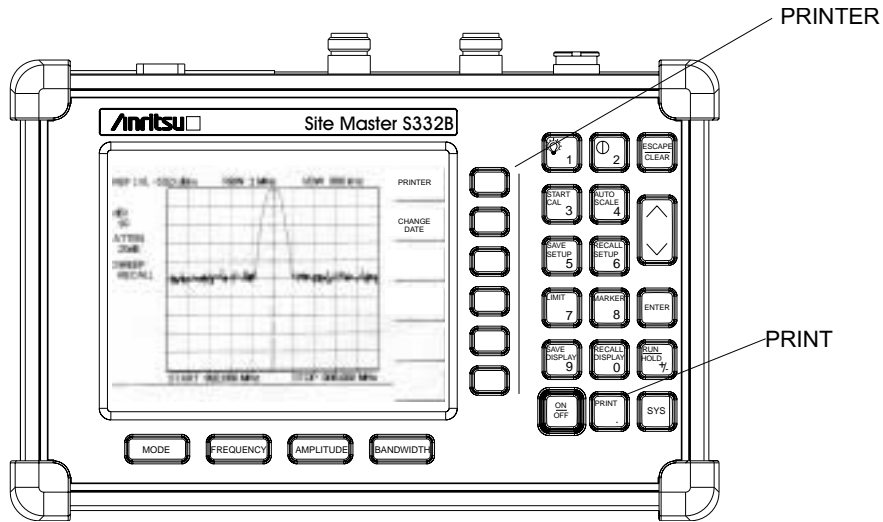


Figure 3-13. PRINTER Soft Key and PRINT Key

Printer Switch Settings

Set the switches, SW1, SW2, and SW3, on the Seiko DPU-414 thermal printer as follows:

<u>Switch</u>	<u>1</u>	<u>2</u>	<u>3</u>	<u>4</u>	<u>5</u>	<u>6</u>	<u>7</u>	<u>8</u>
SW1	OFF	ON	ON	ON	ON	OFF	ON	ON
SW2	ON	ON	ON	ON	ON	ON	ON	OFF
SW3	ON	ON	ON	OFF	OFF	ON	ON	ON


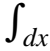




Set the switches on the serial-to-parallel interface cable to the HP Deskjet 340 ink jet printer as follows:

<u>SW1</u>	<u>SW2</u>	<u>SW3</u>	<u>SW4</u>	<u>SW5</u>	<u>SW6</u>	<u>SW7</u>	<u>SW8</u>
OFF	ON	OFF	OFF	OFF	OFF	ON	OFF

Symbols

Table 3-1 provides a listing of the symbols used as condition indicators on the LCD display.

Table 3-1. LCD Icon Symbols

<u>Icon</u>	<u>Symbol</u>
	Site Master is in Hold for power conservation. To resume sweeping, press the RUN/HOLD key. After 10 minutes without a key press, the Site Master will automatically activate the power conservation mode.
	Integrator Failure
	Lock fail indication. Check battery. (If the Site Master fails to lock with a fully charged battery, call your Anritsu Service Center.)
	When calibration is performed, the Site Master stores the ambient temperature. If the temperature drifts outside the specified range, this indicator will flash. A recalibration at the current temperature is recommended.
	Indicates the remaining charge on the battery. The inner white rectangle grows longer as the battery charge depletes.
	Indicates internal data processing.

Self Test

At turn-on, the Site Master runs through a series of quick checks to ensure the system is functioning properly. Note that the battery voltage and temperature are displayed in the lower left corner below the self test message. If the battery is low, or if the ambient temperature is not within the specified operational range, Self Test will fail. If Self Test fails and the battery is fully charged and the Site Master is within the specified operating range, call your Anritsu Service Center.

Error Codes

Self Test Errors

A listing of Self Test Error messages is given in Table 3-2.

Table 3-2. Self Test Error Messages

<u>Error Message</u>	<u>Description</u>
BATTERY LOW	Battery voltage is less than 10 volts. Charge battery. <i>If condition persists, call your Anritsu Service Center.</i>
EXTERNAL POWER LOW	External supply voltage is less than 10 volts. <i>Call your Anritsu Service Center</i>
PLL FAILED	Phase-locked loops failed to lock. Charge battery. <i>If condition persists with a fully charged battery, call your Anritsu Service Center</i>
INTEGRATOR FAILED	Integration circuit could not charge to a valid level. Charge battery. <i>If condition persists with a fully charged battery, call your Anritsu Service Center.</i>
EEPROM R/W FAILED	Non-volatile memory system has failed. <i>Call your Anritsu Service Center.</i>
OUT OF TEMP. RANGE	Ambient temperature is not within the specified operating range. <i>If the temperature is within the specified operating range and the condition persists, call your Anritsu Service Center.</i>

Note: A listing of current Anritsu service centers is given in Table 1-2 , page 1-8.

Range Errors

A listing of Range Error messages is given in Table 3-3.

Table 3-3. Range Error Messages (1 of 2)

<u>Error Message</u>	<u>Description</u>
RANGE ERROR:F1 > F2	The start (F1) frequency is greater than the stop (F2) frequency.
RANGE ERROR:D1 > D2	The start (D1) distance is greater than the stop (D2) distance.
RANGE ERROR:D2 > DMax=xx.x ft (m)	<p>The stop distance (D2) exceeds the maximum unaliased range. This range is determined by the frequency span, number of points, and relative propagation velocity:</p> $\text{MaximumUnaliased Range} = \frac{(1.5 \times 10^8) (dp) (V_f)}{F2 - F1}$ <p>Where: <i>dp</i> is the number of data points (128, 256, or 512) <i>V_f</i> is the relative propagation velocity <i>F2</i> is the stop frequency in Hz <i>F1</i> is the start frequency in Hz <i>Maximum Unaliased Range</i> is in meters</p> <p>Refer to Figure 3-14, page 3-24, for a plot of maximum range versus frequency span.</p>
RANGE ERROR: TOP<=BOTTOM	The SWR scale parameter top value is less than or equal to its bottom value.
RANGE ERROR: TOP>=BOTTOM	The RL scale parameter top value is greater than or equal to its bottom value.
CAL INCOMPLETE	A complete open, short, and load calibration must be performed before calibration can be turned on.
DIST REQUIRES F1 < F2	Valid distance to fault plots require a non-zero frequency span.
DIST REQUIRES CAL	Distance-to-fault measurements do not provide usable data with CAL OFF.
NO STORED SWEEP AT THIS LOCATION	Attempting to recall a display from a location that has not been previously written to. That is, the location does not contain stored sweep.
USE OPTIONS MENU TO SELECT A PRINTER	Attempting to print a display with no printer selected. Select a printer, then retry.
DISTANCE AND CABLE INSERTION LOSS MODE ARE INCOMPATIBLE	DTF measurements only display RL or SWR versus distance.
CANNOT ZERO NO DETECTOR INSTALLED	Attempting to perform a Power Monitor zero adjust function with no RF detector connected to the Site Master.

Table 3-3. Range Error Messages (2 of 2)

<u>Error Message</u>	<u>Description</u>
CANNOT ZERO INPUT SIGNAL TOO HIGH	Attempting to perform a Power Monitor zero adjust function with an input of greater than -20 dBm.
POWER MONITOR OPTION NOT INSTALLED	Attempting to enter Power Monitor mode with no option 5 installed.

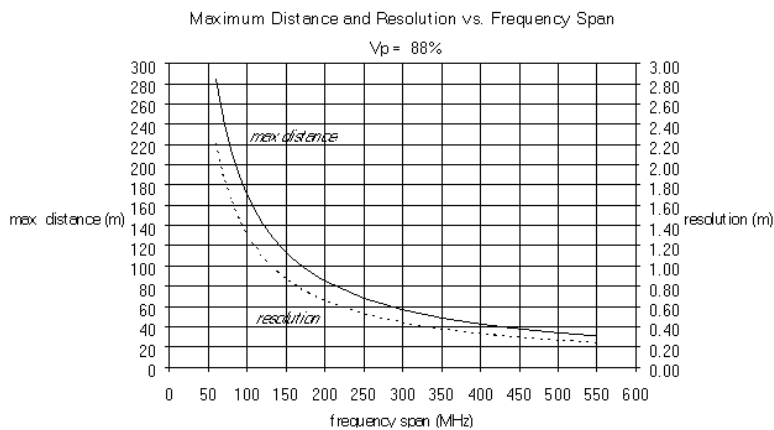
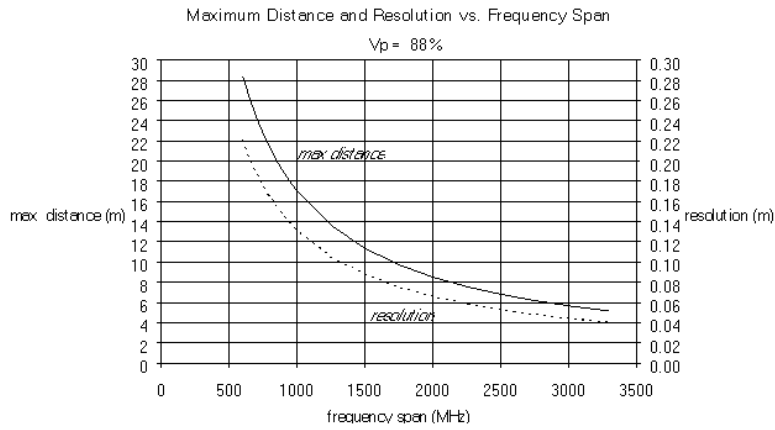


Figure 3-14. Maximum Distance and Resolution vs Frequency Span

Using the Soft Carrying Case

The soft carrying case has been designed such that the strap can be unsnapped to allow the case to be easily oriented horizontally; thus allowing the Anritsu controls to be more easily accessed (Figure 3-15).

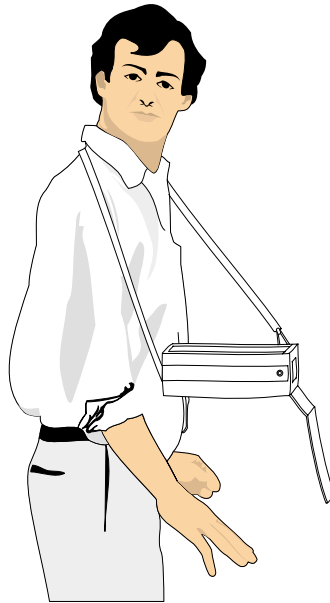


Figure 3-15. Using the Site Master Soft Carrying Case

Chapter 4

Measurements

Introduction

This chapter provides a description of the Site Master measurement functions and examples of frequency domain, distance domain, and spectrum analysis measurements.

Measurement Functions

Site Master operation is divided into four measurement modes: frequency domain, distance domain, spectrum analysis, and power monitor.

- Frequency domain measurements consist of Return Loss (RL), Standing Wave Ratio (SWR), and Cable Loss (CL) made over a selectable frequency range. SWR and RL characterize the magnitude of reflections present in a device or transmission line. CL measurements display the insertion loss of a transmission line over frequency.
- Distance domain measurements—commonly known as distance-to-fault (DTF)—are made over a selectable distance range. They include RL or SWR, but they also return information that can help locate discontinuities in a transmission line. CL cannot be measured in the distance domain.
- Spectrum Analysis—Typical measurements include in-band interference, antenna alignment, and cell coverage. Measurements can be easily made by using the main instrument functions: frequency, span, amplitude and sweep. A full range of marker capabilities such as peak, center and delta functions are provided for fast, comprehensive measurement of displayed signals. Limit lines are available for creating quick, simple pass/fail measurements.
- Power monitor measurements can be either absolute or relative to some base power level, and can be displayed in either dBm or Watts. To allow measurement and display of power levels above the unit's specified input, the user may attenuate the signal and enter the corresponding offset. The offset is added to the measured input power prior to display. Finally, a zero adjust function is provided to allow subtraction of an inherent “noise” level prior to display.

4

CAUTION: *The measurement system MUST be calibrated at the ambient temperature prior to making a measurement. You must calibrate when the setup frequency is changed. Calibrations are stored with each of the setups.*

It is recommended that open, short, load calibration be performed on the Site Master prior to measurements. This gives confidence to the operator that the measurement performed is accurate and system uncertainties have been minimized.

Power On Procedure

The Site Master is designed specifically for field environments and applications requiring mobility. As such, it is a lightweight, handheld, battery operated unit which can be easily carried to any location, and is capable of up to 2.5 hours of continuous operation from a fully charged battery. Built-in energy conservation features allow battery life to be extended over an eight-hour workday. The Site Master can also be powered by a 12.5 Vdc external source. The external source can be either the Anritsu AC-DC Adapter (P/N 40-115) or 12.5 Vdc Automotive Cigarette Lighter Adapter (P/N 806-62) provided.

Step 1. Press the **ON/OFF** key.

The Site Master takes about five seconds to perform a series of self-diagnostic and adjustment routines. At completion, the screen displays the Anritsu logo, the model number, and the version of firmware installed.

Step 2. Press **ENTER** to continue, or wait for one minute.

The Site Master is now ready for operation.

Calibration Procedure

The following procedure provides the steps necessary to perform an Open-Short-Load (OSL) calibration. Calibration is done with the maximum 517 data points and is valid for 130 and 259 data point settings. Refer to Figure 4-1 for setup.

Step 1. Press the **MODE** key.

Step 2. Use the Up/Down arrow key to scroll to **FREQ - SWR** or **RETURN LOSS**.

Step 3. Press the **ENTER** key to select the SWR or Return Loss measurement mode.

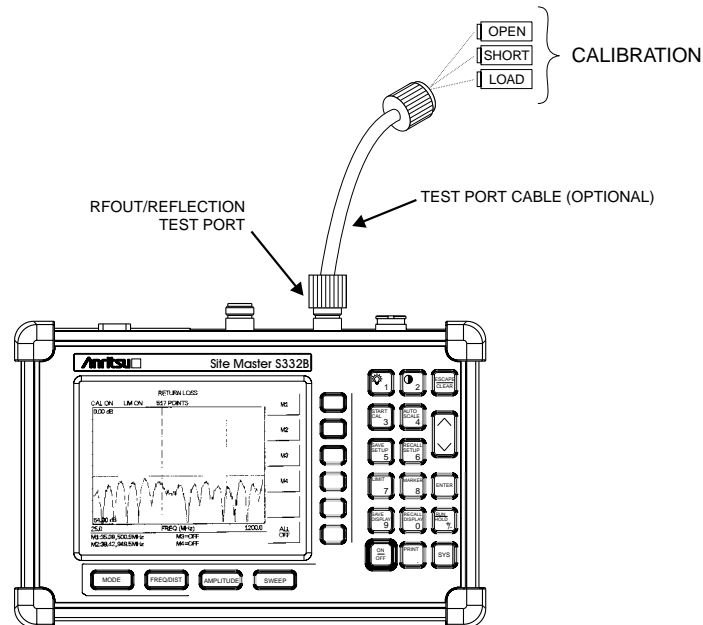
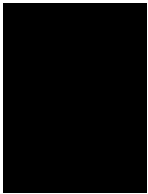


Figure 4-1. Calibration Setup

Selecting the Frequency Range

The following procedure selects the frequency range for the calibration.

- Step 4.** Press the **FREQ/DIST** key.
- Step 5.** Press the **F1** soft key.
- Step 6.** Enter 2, 5 or a user-defined frequency using the key pad or the Up/Down arrow key.
- Step 7.** Press **ENTER** to set F1 to 25 MHz.
- Step 8.** Press the **F2** soft key.
- Step 9.** Enter 1, 2, 0, 0 or a user-defined frequency using the keypad or the Up/Down arrow key.
- Step 10.** Press **ENTER** to set F2 to 1200 MHz.
- Step 11.** Check that the FREQ (MHz) scale in the display area indicates the new frequency start and stop values (for example: F1 = 25 MHz, F2 = 1200 MHz).

Performing a Calibration

The following procedure details how to perform the calibration.

- Step 12.** Press the **START CAL** key. The message “Connect Open to RF OUT port” will appear in the display.
- Step 13.** Connect the calibrated Open and press the **ENTER** key. The messages “Measuring OPEN” and “Connect Short to RF OUT” will appear.
- Step 14.** Remove the Open, connect the calibrated Short and press the **ENTER** key. The messages “Measuring SHORT” and “Connect TERMINATION to RF OUT” will appear.
- Step 15.** Remove the Short, connect the calibrated Termination and press the **ENTER** key. The messages “Measuring TERMINATION ” will appear.
- Step 16.** Verify that the calibration has been properly performed by checking that the message “CAL ON” is displayed in the upper left corner of the display.

Setting the Amplitude Scale

- Step 17.** Press the **AMPLITUDE** or **LIMIT** key to call up the Scale menu.
- Step 18.** In SWR mode, press the **TOP** soft key and enter 1, ., 1, 0 using the key pad or the Up/Down arrow key, and press **ENTER**. (In Return Loss mode, enter 0.)
- Step 19.** In SWR mode, press the **BOTTOM** soft key and enter 1, ., 0, 0 using the key pad or the Up/Down arrow key, and press **ENTER**. (In Return Loss mode, enter 54.)

NOTE:

Figure 4-2 and 4-3 show the typical responses of a valid calibration with a load attached to the test port with 517 data points.

To change the number of data points, press the **SWEEP** key, followed by the **RESOLUTION** soft key. Select 130, 259, or 517 data points.

In the examples, all markers are deactivated.

Saving the Setup

Step 20. To save the configuration in one of the 10 available user setup locations, press **SAVE SETUP** and use the key pad or the Up/Down arrow key to select a location (1 - 10), then press **ENTER**.

Recalling a Setup

The following procedure recalls a setup from memory.

- Step 1.** Press the **RECALL SETUP** key.
- Step 2.** Select the desired setup using the Up/Down arrow key and press **ENTER** to recall the display.

Saving a Display to Memory

- Step 3.** Press the **SAVE DISPLAY** key to activate the alphanumeric menu for trace storage.
- Step 4.** Use the soft keys to enter a label for the saved trace.

For example, to save a display with the name “TX1 RETURN LOSS” press the soft key group that contains the letter “T” then press the “T” soft key. Press the soft key group that contains the letter “X” then press the “X” soft key. Press the number “1” key on the numeric keypad. Use the softkeys and keypad as necessary to enter the entire name, then press **ENTER** to complete the process.

NOTE: More than one trace can be saved using the same alphanumeric name, as traces are stored chronologically, using the time/date stamp.

Recalling a Display From Memory

The following procedure recalls a previously saved display from memory.

- Step 1.** Press the **RECALL DISPLAY** key.
- Step 2.** Select the desired display using the Up/Down arrow key and press **ENTER** to recall the display.

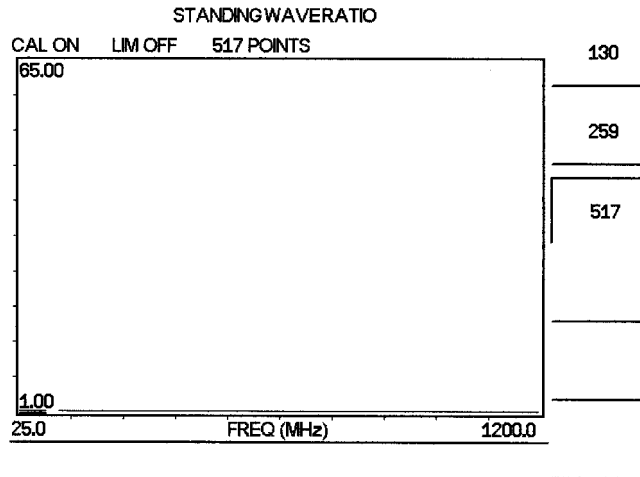


Figure 4-2. Return Loss Measurement Mode Calibration Results

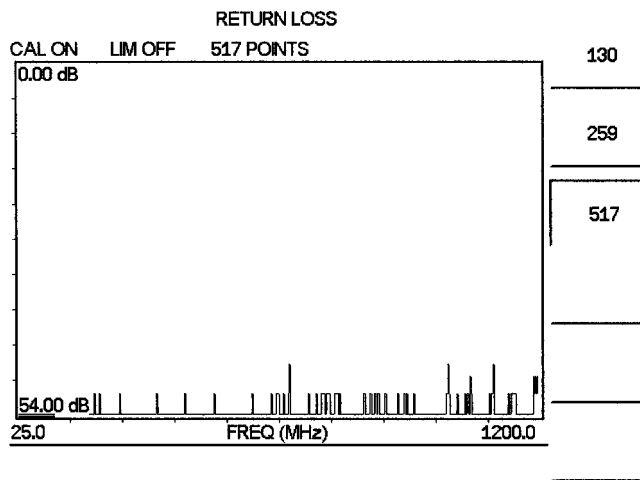


Figure 4-3. SWR Measurement Mode Calibration Results

NOTES: For best calibration results—compensation for all measurement system uncertainties—ensure that the Open/Short/Load is at the end of the test port or optional extension cable; that is, at the same point as the antenna or device to be tested will be connected.

For best results, use a phase stable Test Port Extension cable. In a typical laboratory cable, bending subsequent to the calibration will cause uncompensated phase reflections inside the cable. Cables that are not phase stable may cause measurement errors that become more pronounced as the test frequency increases.

SWR (Return Loss) and Cable Loss Measurement

The following frequency domain measurement is an example of a Standing Wave Ratio (or Return Loss) and Cable Loss measurement made over a selectable frequency range. This measurement example determines the quality and loss of the cable or device under test.

Required Equipment

- Site Master Model S113B, S114B, S331B, or S332B
- Precision Open/Short, Anritsu 22N50 *or*
Precision Open/Short/Load, Anritsu OSLN50LF
- Precision Load, Anritsu SM/PL
- Test Port Extension Cable, Anritsu 15NNF50-1.5A

Device-Under-Test Specification

Type	Typical Loss @1.5m	V _g	Return Loss
15NNF50-1.5A	0.3 dB @300 MHz 0.4 dB @600 MHz 0.5 dB @900 MHz 0.6 dB @1200 MHz	0.86	≥ 21 dB

Procedure

Step 1. Press the **ON/OFF** key on the Site Master.

Selecting the Measurement Mode

Step 2. Press the **MODE** key.

Step 3. Use the Up/Down arrow key to scroll to **FREQ-SWR** or **FREQ-RETURN LOSS**.

Step 4. Press the **ENTER** key to select Frequency SWR or Return Loss measurement mode.

Selecting the Frequency Range

Step 5. Press the **FREQ/DIST** key.

Step 6. Press the **F1** soft key.

Step 7. Enter 2, 5 using the key pad or the Up/Down arrow key.

Step 8. Press **ENTER** to set F1 to 25 MHz.

Step 9. Press the **F2** soft key.

Step 10. Enter 1, 2, 0, 0 using the keypad or the Up/Down arrow key.

Step 11. Press **ENTER** to set F2 to 1200 MHz.

Step 12. Check that the FREQ (MHz) scale in the display area indicates the new frequency start and stop values (F1 = 25 MHz, F2 = 1200 MHz).

Performing a Calibration

Step 13. Press the **START CAL** key. Follow the instructions that appear in the message area.

Step 14. Connect the Open, Short, and Load component to the test port and press the **ENTER** key as prompted after connecting each component.

Refer to the “Performing a Calibration” procedure on page 4-3 for detailed calibration steps.

NOTES:

For best calibration results — compensation for all measurement system uncertainties — ensure that the Open/Short/Load is at the end of the test port or optional extension cable; that is, at the same point that you will connect the antenna or device to be tested.

For best results, use a phase stable Test Port Extension Cable (see Optional Accessories). If you use a typical laboratory cable to extend the Anritsu test port to the device-under-test, cable bending subsequent to the Open/Short/Load calibration will cause uncompensated phase reflections inside the cable. Thus, cables which are not phase stable may cause measurement errors that are more pronounced as the test frequency increases.

For optimum calibration, Anritsu recommends using precision calibration components.



SWR or Return Loss Measurement

Step 15. Disconnect the Load and connect the test port extension cable to the Site Master test port.

Step 16. Connect the Load to the open end of the test port extension cable as shown in Figure 4-4.

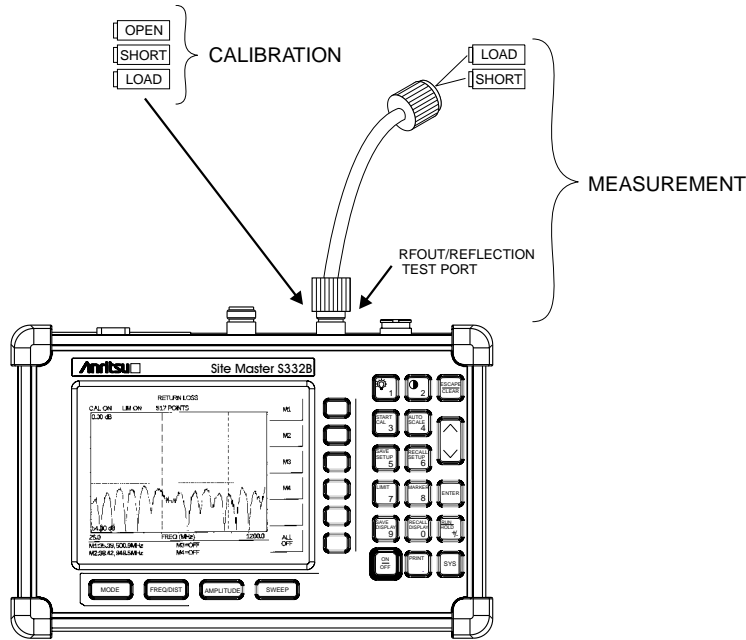


Figure 4-4. Cable Measurement Test Setup

Step 17. Observe the displayed measurement. Figures 4-5 and 4-6 show typical SWR and Return Loss measurements with markers and limit line set.

Set the Amplitude Scale and Limit Line

The following procedure sets the top and bottom scale display.

Step 18. Press the **AMPLITUDE** or **LIMIT** key to call up the Scale Menu.

Step 19. In SWR mode, press the **TOP** soft key and enter 1, ., 3 using the keypad or Up/Down arrow key. Press **ENTER** to set the top scale. (In Return Loss mode, enter 0.)

Step 20. In SWR mode, press the **BOTTOM** soft key and enter 1 using the keypad or Up/Down arrow key. Press **ENTER** to set the bottom scale. (In Return Loss mode, enter 5, 4.)

Step 21. Press the **LIMIT EDIT** soft key. For Freq-SWR, enter 1, ., 2. For Freq-Return Loss, enter 2, 1 using the keypad or Up/Down arrow key. Press **ENTER** to set the bottom limit line.

Setting the Markers

The following procedure sets the markers.

Step 22. Press the **MARKER** key to call up the Markers menu.

Step 23. Press the **M1** soft key to select the M1 marker function. Press the **EDIT** soft key and enter 5, 0, 0 using the keypad or Up/Down arrow key. Press **ENTER** to set M1 to 500 MHz. (Note: pressing the **ON/OFF** soft key activates or deactivates the M1 marker function.)

Step 24. Press the **BACK** soft key to return to the Markers menu.

Step 25. Repeat steps 22 and 23 for marker M2. Set M2 to 950 MHz (Figures 4-5 and 4-6 depict the Return Loss and SWR measurements).

NOTE:
Refer to page 4-4 for instructions on saving and recalling a setup or display.

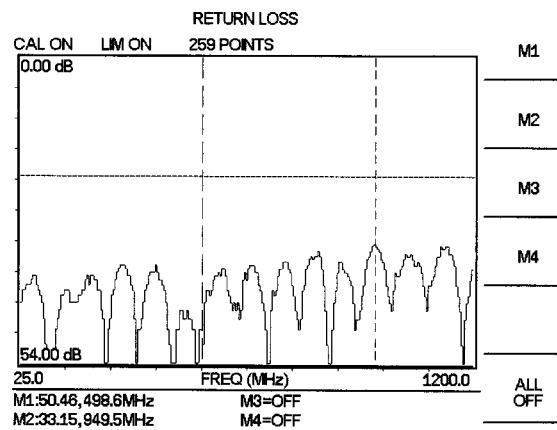


Figure 4-5. Cable Return Loss Measurement Results

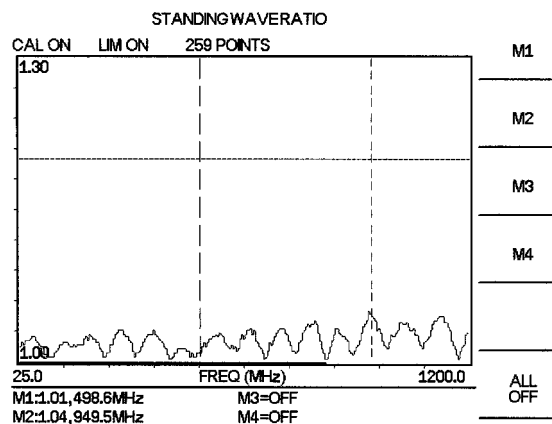


Figure 4-6. Cable SWR Measurement Results

Cable Loss Measurement

The following frequency domain measurement is an example of a Cable Loss measurement made over a selectable frequency range.

Step 26. Disconnect the load from the end of the cable and replace it with a short.

Step 27. Press the **MODE** key.

Step 28. Use the Up/Down arrow key to scroll to **CABLE LOSS - ONE PORT**.

Step 29. Press **ENTER** to select Cable Loss measurement mode.

Setting the Amplitude Scale

The following procedure sets the scale display.

Step 30. Press the **AMPLITUDE** key to call up the Scale Menu.

Step 31. Press the TOP soft key and enter 0, ., 0, 0 using the keypad or Up/Down arrow key. Press **ENTER** to set the top scale.

Step 32. Press the BOTTOM soft key and enter 2 using the keypad or Up/Down arrow key. Press **ENTER** to set the bottom scale..

NOTE:

*An alternative method of setting the amplitude scale is to use the **AUTO SCALE** key.*



Setting the Markers

The following procedure sets the markers.

Step 33. Press the **MARKER** key to call up the Markers menu.

Step 34. Press the **M1** soft key to select the M1 marker function. Press the **EDIT** soft key and enter 6, 0, 0 using the keypad or Up/Down arrow key. Press **ENTER** to set M1 to 600 MHz. (Note: pressing the **ON/OFF** soft key activates or deactivates the M1 marker function.)

Step 35. Press the **BACK** soft key to return to the Markers menu.

Step 36. Repeat steps 1 and 2 for marker M2. Set M2 to 900 MHz (Figures 4-7 depicts a Cable Loss measurement).

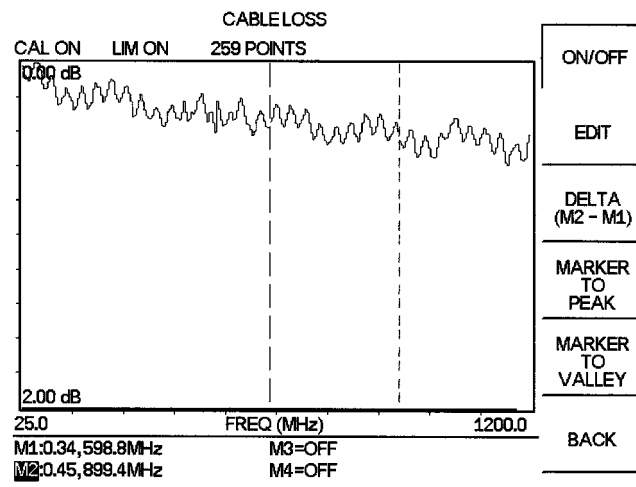


Figure 4-7. Cable Loss Measurement Results

NOTE:
Refer to page 4-4 for instructions on saving and recalling a setup or display.



DTF Measurement

The following distance domain measurement is an example of a Distance-to-Fault (DTF) measurement over a selectable distance range.

Required Equipment

- Site Master Model S113B, S114B, S331B, or S332B
- Precision Open/Short, Anritsu 22N50 *or* Precision Open/Short/Load, Anritsu OSLN50LF
- Precision Load, Anritsu SM/PL
- Test Port Extension Cable, Anritsu 15NNF50-1.5A

Device-Under-Test Specification

Type	Typical Loss @1.5m	V _g
15NNF50-1.5A	0.3 dB @300 MHz 0.4 dB @600 MHz 0.5 dB @900 MHz 0.6 dB @1200 MHz	0.86

Procedure

Step 1. Press the **ON/OFF** key on the Site Master.

Selecting the Measurement Mode

Step 2. Press the **MODE** key.

Step 3. Use the Up/Down arrow key to scroll to **DTF-SWR** or **DTF-RETURN LOSS**.

Step 4. Press the **ENTER** key to select DTF-SWR or Return Loss measurement mode. If the Site Master has not been calibrated (CAL OFF displayed in the upper left of the display), the DTF AID parameter table will appear.

NOTE: Where CAL ON is indicated on the Site Master, pressing the DTF AID soft key will activate the DTF parameter table. However, distance and cable type (propagation velocity and loss) have not been optimized. F1 and F2 are set by "CAL ON" setup. DTF measurement is valid for $D2 \leq D_{max}$ (as defined by F2 and F1). The number of data points (resolution) will automatically adjust according to the length of D2.

Step 5. Use the Up/Down arrow key to scroll to **D2**, then press **ENTER** to select the cable length.

Step 6. Enter 2 using the keypad or the Up/Down arrow key. Press **ENTER** to set D2 to 2.0 meters.

Step 7. Use the Up/Down arrow key to scroll to **F1**, then press **ENTER** to select the start frequency F1.

Step 8. Enter 3, 0, 0 using the keypad or the Up/Down arrow key. Press **ENTER** to set F1 to 300 MHz.

- Step 9.** Use the Up/Down arrow key to scroll to **F2**, then press **ENTER** to select the start frequency F2.
- Step 10.** Enter 1, 2, 0, 0 using the keypad or the Up/Down arrow key. Press **ENTER** to set F2 to 1200 MHz.
- Step 11.** Scroll to **PROP VEL** and press **ENTER** to select Propagation Velocity.

NOTE:
*Propagation velocity and cable loss can be accessed by selecting **CABLE FUNCTION** from DTF AID parameter table.*

- Step 12.** Enter 0, ., 8, 6 and press **ENTER** to set the Propagation Velocity to 0.86.
- Step 13.** Press **ENTER** to start the calibration.

NOTE:
*If the calibration is valid, scroll to **CONTINUE** and press **ENTER**. If calibration is necessary, proceed to the calibration instructions.*

Performing a Calibration

This procedure is used to perform a calibration.

- Step 14.** At the Perform Calibration menu, follow the instructions on the display to connect the respective calibration components to the Site Master test port. (Refer to the calibration procedure on page 4-3.)

NOTES:
For best calibration results — compensation for all measurement system uncertainties — ensure that the Open/Short/Load is at the end of the test port or optional extension cable; that is, at the same point that you will connect the antenna or device to be tested.

For best results, use a phase stable Test Port Extension Cable (see Optional Accessories). If you use a typical laboratory cable to extend the Anritsu test port to the device-under-test, cable bending subsequent to the Open/Short/Load calibration will cause uncompensated phase reflections inside the cable. Thus, cables which are not phase stable may cause measurement errors that are more pronounced as the test frequency increases.

For optimum calibration, Anritsu recommends using precision calibration components.

DTF Measurement (Determining the Length of the Cable)

Step 15. Disconnect the Load and connect the test port extension cable to the Site Master test port.

Step 16. Connect the Short to the open end of the test port extension cable.

Setting the Amplitude Scale

Step 17. Press the **AMPLITUDE** or **LIMIT** key to call up the Scale Menu.

Optional: Press the **AUTO SCALE** key to optimize the amplitude scale.

Step 18. In SWR mode, press the **TOP** soft key and enter 3, 0 using the keypad or Up/Down arrow key. Press **ENTER** to set the top scale. (In Return Loss mode, enter 0.)

Step 19. In SWR mode, press the **BOTTOM** soft key and enter 1 using the keypad or Up/Down arrow key. Press **ENTER** to set the bottom scale. (In Return Loss mode, enter 54.)

Setting the Marker

Step 20. Press the **MARKER** key to call up the Markers menu.

Step 21. Press the **M1** soft key to select the M1 marker function. (Note: pressing the **ON/OFF** soft key activates or deactivates the M1 marker function.)

Step 22. Press the **MARKER TO PEAK** soft key to find the cable length.

Step 23. Press the **BACK** soft key or the **ESCAPE** key to return to the previous menu. Figures 4-8 and 4-9 show cable length displays in SWR and Return Loss modes.

NOTE:

Refer to page 4-4 for instructions on saving and recalling a setup or display.

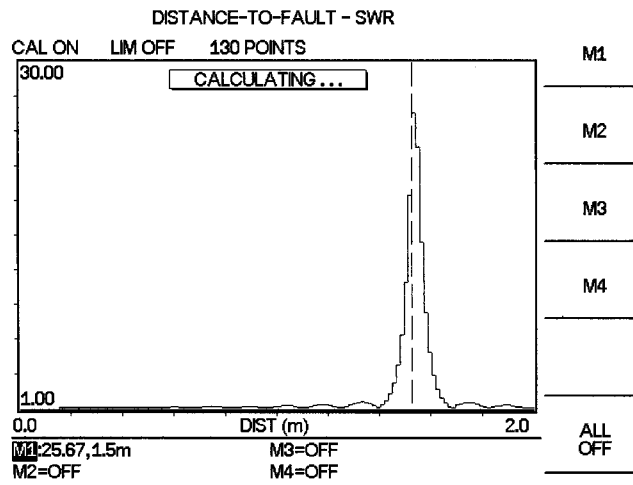


Figure 4-8. DTF - SWR Measurement Results (cable length)

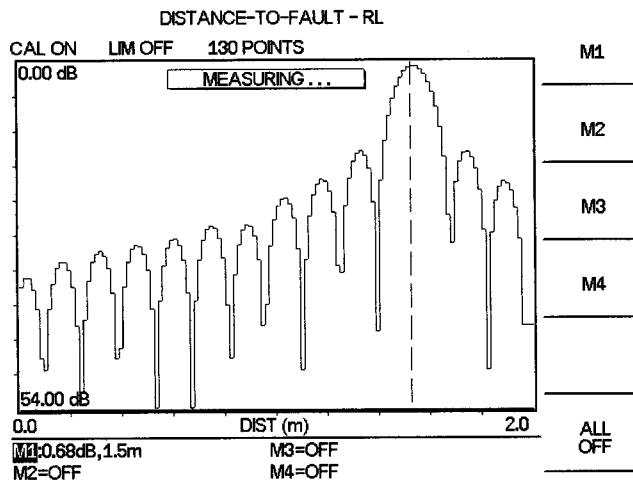


Figure 4-9. DTF - RETURN LOSS Measurement Results (cable length)

DTF Measurement (Determining the quality of the cable.)

NOTE:

If cable length measurement has not been done, calibration must be done before determining the quality of the cable (steps 1-15).

Step 24. Disconnect the Short and connect the Load to the test port extension cable

Setting the Amplitude Scale

Step 25. Press the **AMPLITUDE** or **LIMIT** key to call up the Scale Menu..

Optional: Press the **AUTO SCALE** key to optimize the amplitude scale.

Step 26. In SWR mode, press the **TOP** soft key and enter 1, ., 0, 5 using the keypad or Up/Down arrow key. Press **ENTER** to set the top scale. (In Return Loss mode, enter 20.)

Step 27. In SWR mode, press the **BOTTOM** soft key and enter 1 using the keypad or Up/Down arrow key. Press **ENTER** to set the bottom scale. (In Return Loss mode, enter 54.)

Setting the Markers

Step 28. Press the **MARKER** key to call up the Markers menu.

Step 29. Press the **M2** soft key to select the M2 marker function. (Note: pressing the **ON/OFF** soft key activates or deactivates the M1 marker function.)

Step 30. Press the **MARKER TO PEAK** soft key to find the maximum SWR or Return Loss reading. (See Figures 4-10 and 4-11.)

NOTE:

Refer to page 4-4 for instructions on saving and recalling a setup or display.

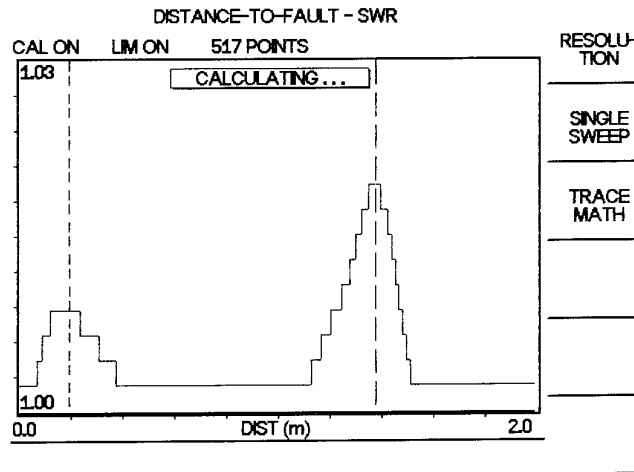


Figure 4-10. DTF - SWR Measurement Results (cable quality)

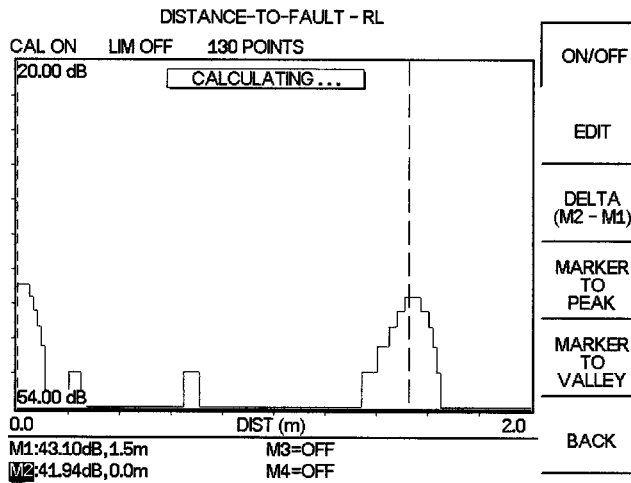


Figure 4-11. DTF - RETURN LOSS Measurement Results (cable quality)

Making Power Measurements

Power measurement is accomplished using a broadband (1 MHz to 3000 MHz) RF detector, P/N 5400-71N50. The power monitor displays measured power in dBm or Watts.

Entering Power Monitor Mode

- Step 1.** Press the **MODE** key.
- Step 2.** Use the Up/Down arrow key to scroll to **POWER MONITOR**. Press **ENTER** to select power monitor mode.

Zeroing the Power Monitor

- Step 3.** With no power applied to the DUT, press the **ZERO** soft key from the Power menu. Wait a few seconds while the Site Master accumulates samples of the quiescent power level. When complete, **ZERO ADJ: ON** is displayed in the message area.

Measuring High Input Power Levels

- Step 4.** Insert an attenuator between the DUT and the RF detector, sufficient to insure that the input power to the Site Master is no greater than 20 dBm.
- Step 5.** Press the **OFFSET** soft key.
- Step 6.** Enter the attenuation in dB using the keypad. Press **ENTER** to complete the entry. The message area will show **OFFSET is ON** along with the entered value in dB.

Displaying Power in dBm and Watts

- Step 7.** Press the **UNITS** soft key to display power in Watts.

Displaying Relative Power

- Step 8.** With the desired base power level input to the Site Master, press the **REL** soft key. The message area will show **REL: ON** and the power reading will indicate 100%.
- Step 9.** Press the **UNITS** soft key to display power in dBm. Since REL is ON, the power reading will be in dB_r, relative to the base power level.

Making a Measurement with the Spectrum Analyzer

Making a measurement with the Anritsu Site Master S114B and S332B is similar to using conventional spectrum analyzers. Users need simply to power-on and tune the Spectrum Analyzer to locate and display a signal on the screen. Once a signal is displayed the user can measure the signal input in four simple steps to determine the frequency and amplitude of the signal. These steps include setting the center frequency, setting the frequency span, setting the amplitude, and activating the marker.

Note: Frequency, span and amplitude are the fundamental functions for spectrum analyzer measurements. However, by using marker functions, you are able to easily read out frequencies and amplitudes on the spectrum analyzer trace. This lets you make relative measurements, automatically locate the signal of the highest amplitude on a trace, and tune the spectrum analyzer to track a signal automatically.

Example – Measuring a 900 MHz signal

- Step 1.** Press **ON/OFF** then **ENTER** when prompted.
- Step 2.** Connect a signal generator to the RF input of the Spectrum Analyzer and configure it to provide a -10 dBm, 900 MHz signal.

Set the Site Master to Spectrum Analyzer mode

- Step 3.** Press the **MODE** key.
- Step 4.** Use the Up/Down arrow key to scroll to **SPECTRUM ANALYZER**.
- Step 5.** Press the **ENTER** key.

Set the center frequency

- Step 6.** Press the **FREQ/DIST** key.
- Step 7.** Press the **CENTER** frequency soft key.

Note: To set the center frequency to 900 MHz, use the numerical keypad to the right of the display. The data keys allow you to select the exact numeric value of the active function, which in this example is the center frequency. Note that all frequency values must be entered in values of MHz. When activating the center frequency function, the spectrum analyzer is set to the center-frequency span mode.

- Step 8.** Enter 9, 0, 0 using the Up/Down arrow key or the keypad and press **ENTER** to set the center frequency to 900 MHz.

Set the frequency span

Step 9. Press the **SPAN** soft key.

Step 10. Enter 1, 5 using the Up/Down arrow key or the keypad and press **ENTER** to set the span to 15 MHz (Figure 4-12).

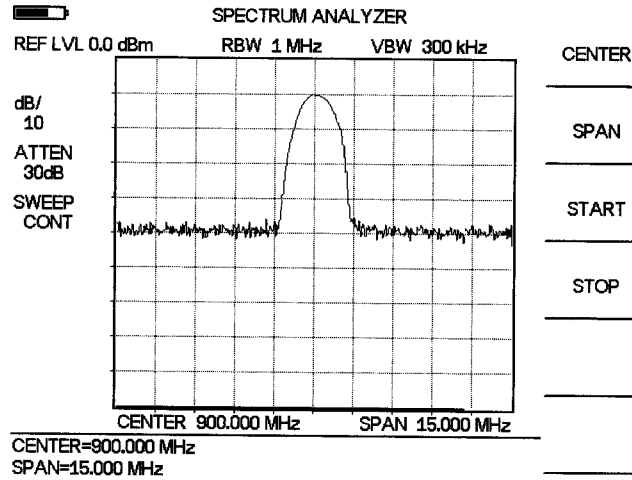


Figure 4-12. 15 MHz Frequency Span

Setting the marker

Step 11. Press the **MARKER** key.

Step 12. Press the **M1** soft key .

Step 13. Press **ON/OFF** and **EDIT** soft keys to activate the selected marker.

Step 14. Press the **MARKER TO PEAK** soft key to set marker M1 to the highest point on the trace (Figure 4-13).

NOTE:

Alternatively, press the **EDIT** softkey and use the Up/Down arrow key to find the peak display value.

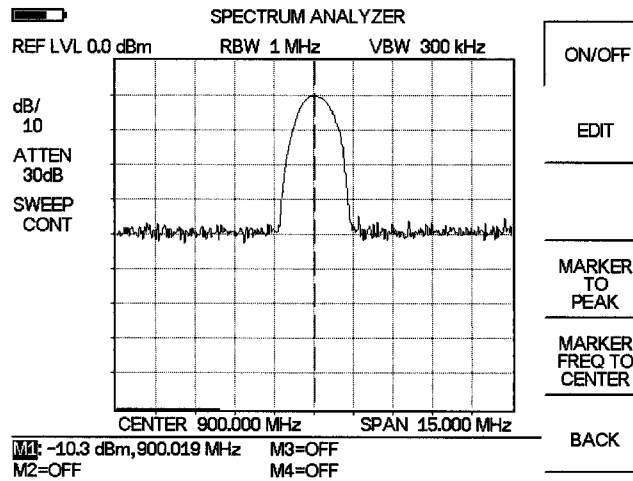


Figure 4-13. Activated normal marker

Set the Reference Level

- Step 1. Press the **AMPLITUDE** or **LIMIT** key.
- Step 2. Press **REF LEVEL** soft key and use the Up/Down arrow key or the keypad to enter -, 1, 0 (the peak value found above) to set the reference level to -10 dBm.
- Step 3. Press **ENTER**. Observe the display (Figure 4-14).

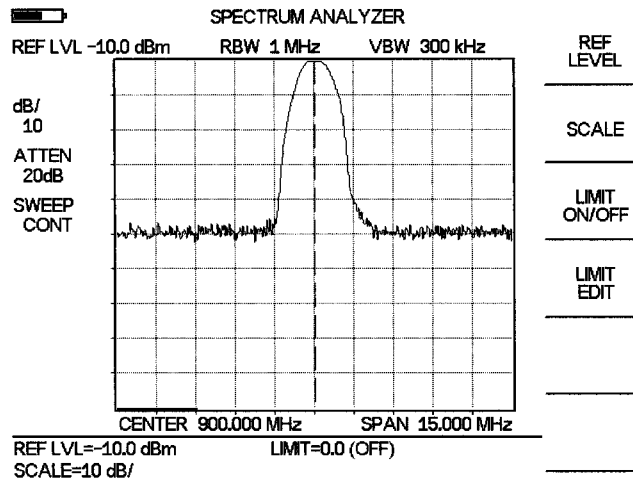


Figure 4-14. Reference level at -10 dBm

Chapter 5

Software Tools

Program

Description

The Site Master Software Tools program provides the means for transferring the measured trace, along with any applied markers and/or a limit, to the screen of an MS-DOS based personal computer (PC) running Windows 95/98/NT.

Requirements

The Site Master Software Tools program is a standard Windows program and will run on any computer that will run Windows 95/98/NT. Typically, this means having a PC with the following characteristics:

- Pentium microprocessor (100 MHz or better, recommended)
- Microsoft Windows 95/98/NT
- 32 MBytes of memory, minimum
- Approximately 15 MBytes of available hard drive space

Communication Port Setting

The Site Master Software Tools communicates with the Site Master through a standard COM port on the PC. It is important that your Windows COM port settings conform to the actual hardware settings. Since various add-in devices such as sound cards, modems, and network cards use IRQ (Interrupts), it is possible that your computer has non-standard COM port settings. Please consult your computer vendor for COM port address and IRQ information.

Changing COM Port Settings—Windows 95/98/NT

- Step 1.** Open the Windows Control Panel.
- Step 2.** Double click on the **SYSTEM** icon. The System Properties window appears.
- Step 3.** Select **Device Manager**. The Device List appears.
- Step 4.** Double click on the item Ports (COM & LPT) in the device list.
- Step 5.** Double click on the communications port you want to set. The Communications Port Properties window appears.

NOTE:
If Windows doesn't show any available COM Ports, consult your computer manufacturer.



- Step 6.** Choose Port Settings, then change to the following settings if necessary.
- Baud Rate: 9600
 - Data Bits: 8
 - Parity: None
 - Stop Bits: 1
 - Flow Control: None
- Step 7.** Choose **Resource** and verify the COM Port Base Address and IRQ. Click **OK** when done.
- Step 8.** Click **OK** again to close the System Properties window.

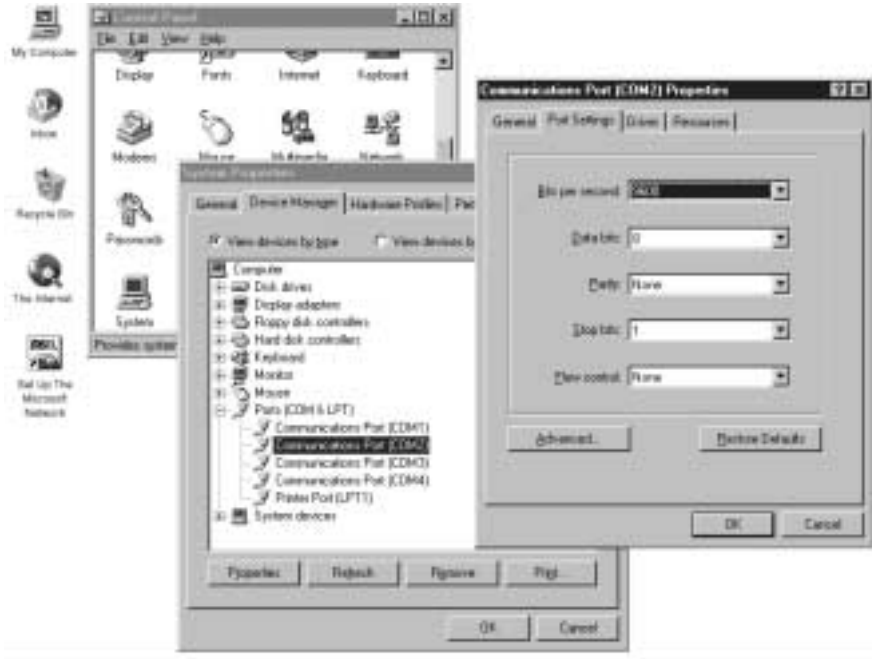


Figure 5-1. Windows 95/98/NT COM Port Setting Dialog Boxes

Note:
If you changed the COM Port Base Address and/or IRQ, you will need to restart Windows.

Software Installation

The Site Master Software Tools program is a conventional Microsoft Windows program. Installation is similar to all other such programs. For users new to Windows, a detailed procedure is given below.

- Step 9.** Insert the Anritsu Site Master Software Tools For Windows disk in the CDROM drive.
- Step 10.** Select **Run** under the Start menu.
- Step 11.** Type **x:\SETUP**, where x = the drive letter of the CDROM drive.
- Step 12.** Press the **Enter** key to select the default directory **C:\Program Files\Site Master Software Tools** and begin the Setup routine.
- Step 13.** When the Setup program prompts, select **OK** or press the **Enter** key to restart Windows.

NOTE: The Setup routine will create a new Program Group named "Site Master Software Tools". This group will contain three file icons, "Read Me," "Site Master Help," and "Site Master Software Tools."

- Step 14.** Double-click on the "Read Me" icon to read about recent changes that did not get into this manual and important features or problems that you should know about.
- Step 15.** Double-click on the "Site Master Help" icon to acquaint yourself with the comprehensive on-line manual. This manual provides descriptive narrative for the various program features and controls.
- Step 16.** Double-click on the "Site Master Software Tools" icon to open the Software Tools program.
- Step 17.** Click on **Settings**, in the top menu bar, and select **COM Port**. Enter the appropriate COM port number for the serial interface cable (null modem type).

Plot Capture

Plots (traces) can be captured either singly from the Site Master display or in multiples from one or more stored-display locations. Both methods are described below.

The recommended method is to capture multiple traces to a database. In one operation, all of the data residing in the up-to-200 stored display memory locations in the Site Master can be downloaded to a database for easy data management.

NOTE: Trace scale can be captured as per Site Master or as autoscale by the capture program. To select per Site Master or autoscaling, click on Settings and Default Plot Settings from the top menu bar and pull-down menu.

Capture multiple traces to a database

Step 1. Connect the supplied cable as shown in Figure 5-2.

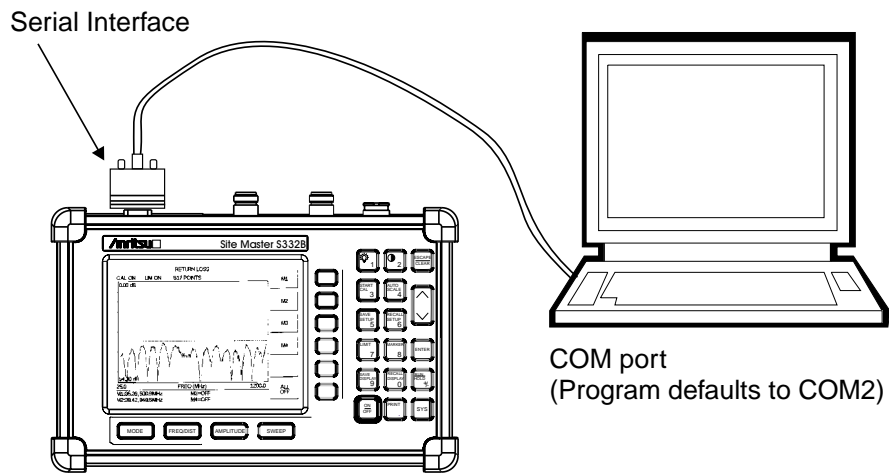


Figure 5-2. Serial Cable Connection

- Step 2.** Open the Site Master Software Tools program.
- Step 3.** Double-click on the “Site Master Software Tools” icon to open the program.
- Step 4.** Click on **Capture**, in the top menu bar, and select **Capture Plots To Database** from the drop-down menu.
- Step 5.** Follow the database instructions to download the plot(s) to either a new database or an existing database.
- Step 6.** Enter the number(s) of the stored-display memory location(s) (1 to 200) from which you wish to store to the database, and click **OK**.
- Step 7.** Observe that the “Acquiring Control” box appears on the screen, then disappears as traces are automatically acquired. The “Database” box appears when the plot(s) has been completely captured into the database.

Capture single or multiple traces to PC screen

- Step 1.** Perform steps 1, 2, and 3 of the capture-multiple-traces-to-database procedure.
- Step 2.** Click on the **Start Plot Capture** icon or click on **Capture**, in the top menu bar, and select **Capture Plots to Screen** from the drop-down menu.
- Step 3.** Enter the number (or numbers) of the stored-display memory location(s) (1 to 200) from which you wish to display traces in Site Master Software Tools.
- Step 4.** Select **OK**.
- Step 5.** Observe that the “Acquiring Control” box appears on the screen, then disappears as the traces are automatically acquired and displayed.

Program Operation

The captured trace on the PC can be scaled and have its limit line, markers, and properties changed. (Click on the **Plot Properties** icon, or select **Plot Properties** under the **View** menu to make these changes.) The operation of the various menus that allow these operations to be accomplished is straightforward. To read about the operation of the menus, refer to the on-line help screens, accessed from the **Help** menu in the top menu bar.

Fault Location Software

A captured RL or SWR trace can be transformed to a Distance to Fault display. This is useful for determining the location of faults, connections, and other discontinuities within the cable.

To transform a plot, select Distance to Fault from the **Tools** menu (or click on the Distance to Fault icon in the toolbar). A drop down menu will appear that asks you if the DUT is coaxial cable or waveguide.

If coaxial cable is selected, it asks you to supply start and stop distances along with the cable type or propagation velocity and insertion loss values. Tables in Appendix A provide these values for some of the more popular coaxial cables (@ 1000 MHz).

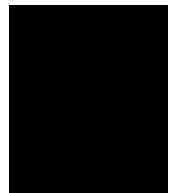
If values are needed at a different frequency, or if you need the exact values for more accurate measurement, please contact the coaxial cable manufacturer. Coaxial cables may be added to the list by editing the `cables.lst` file. Follow the existing format to enter the data to the list. Loss is entered in dB/m only.

The distance may be entered in feet or meters. Propagation velocity is used for coaxial cable. The units may be changed by selecting **Default Plot Settings** under the **Settings** menu and changing Measurement Units.

After supplying the needed information and clicking **OK**, a new plot will open showing coax match vs. distance.

Smith Chart Software

After obtaining a frequency SWR or RL plot on the computer display, click the **Smith Chart** icon. Read the Help file to see how this feature functions (under Smith Chart and Data Readout).



Saving a Plot as a Windows Metafile or as a Spreadsheet File

Plots can be saved as Windows metafile (.wmf) or as a text file (.txt). The metafile may be imported into graphic programs and a text file can be imported into a spreadsheet program, but they cannot be reloaded into the Site Master Software Tools program.

To save a plot as a Windows Metafile, click on File, in the top menu bar, and select **Save as Metafile** from the drop down menu.

To save a plot as a text file to use in a spreadsheet, click on File in the top menu bar and select **Export to text file for Spreadsheet** from the drop down menu.

Pasting a Plot in Graphic or Spreadsheet Format

The data points from a plot can be exported to a graphic application or a spreadsheet via the clipboard. To transfer data to the Windows clipboard:

- Step 1.** Select Settings and **Clipboard Format** from the top menu bar and pull-down menu and choose either graphical or tabular format.
- Step 2.** Capture or load the desired plot.
- Step 3.** Copy the data to the clipboard by selecting the **Copy Plot Data** icon or **Copy** from the Edit menu.
- Step 4.** To paste to a graphic application, open the application and select Paste from the application's **Edit** menu.
- Step 5.** To paste to a spreadsheet, open the spreadsheet program and place the cursor where the first data point should appear.
- Step 6.** Select Paste from the spreadsheet program's **Edit** menu.



Saving Data to a Database

Plots can be saved to a database. Comments can be added to the plot data saved. Queries of the database provide a means of comparing plots in the database. Refer to the on-line help screens for operating instructions.

To save a plot to a database, click on **File**, in the top menu bar, and select **Save Plot to Database** from the drop-down menu.

“Drag-n-Drop”

Site Master Software Tools is Windows based. Graphs can “Drag-n-Drop” onto each other. Site Master Software Tools allows quick comparison of “before” and “after” Distance-To-Fault measurements. Recent data is compared to a historical PC database record, which is usually recorded during site installation/commissioning.

Each cable/antenna tends to have a unique Distance-To-Fault (DTF) “Signature” because differing cable electrical lengths, cable types, dielectric thickness variations, and the positions of components (connectors, adapters, and lightning arresters) will cause different reflections at differing positions in the transmission line. Variations in the “signature” between maintenance intervals offer a good indication of damage or damage causing conditions.

Printing

Captured traces may be printed from a PC using Site Master Software Tools. Once a captured trace has been downloaded choose **Print** under the **File** menu for printing options. The printer setup can be altered, plots can be scaled, and multiple plots can be printed from the Print dialog box.



Appendix A

Reference Data

Coaxial Cable Technical Data

Table A-1 provides a standard listing of common coaxial cables along with their “Relative Propagation Velocity” and “Nominal Attenuation in dB/m @ 1000 MHz” values.

Table A-1. Coaxial Cable Technical Data (1 of 2)

Cable Type	Relative Propagation Velocity (V_f)	Nominal Attenuation dB/m @ 1000 MHz
RG8, 8A	0.659	0.262
RG9, 9A	0.659	0.289
RG17, 17A	0.659	0.180
RG55, 55A, 55B	0.659	0.541
RG58, 58B	0.659	0.558
RG58A, 58C	0.659	0.787
RG142	0.690	0.443
RG174	0.660	0.984
RG178B	0.690	1.509
RG188	0.690	1.017
RG213	0.660	0.292
RG214	0.659	0.292
RG223	0.659	0.535
FSJ1-50A	0.840	0.197
FSJ2-50	0.830	0.134
FSJ4-50B	0.810	0.119
LDF4-50A	0.880	0.077
LDF5-50A	0.890	0.043
LDF6-50	0.890	0.032
LDF7-50A	0.880	0.027
LDF12-50	0.880	0.022
HJ4-50	0.914	0.087
HJ4.5-50	0.920	0.054
HJ5-50	0.916	0.042
HJ7-50A	0.921	0.023
LMR100	0.800	0.792
LMR200	0.830	0.344
LMR240	0.840	0.262
LMR400	0.850	0.135
LMR500	0.860	0.109

Appendix A Reference Data

Table A-1. Coaxial Cable Technical Data (2 of 2)

Cable Type	Relative Propagation Velocity (V_f)	Nominal Attenuation dB/m @ 1000 MHz
LMR600	0.870	0.087
LMR900	0.870	0.056
LMR1200	0.880	0.044
LMR1700	0.890	0.033
HCC12-50J	0.915	0.042
HCC78-50J	0.915	0.042
HCC158-50J	0.950	0.023
HCC300-50J	0.960	0.014
HCC312-50J	0.960	0.013
HF 4-1/8" Cu2Y	0.970	0.010
HF 5" Cu2Y	0.960	0.007
HF 6-1/8" Cu2Y	0.970	0.006
FLC 38-50J	0.880	0.115
FLC 12-50J	0.880	0.075
FLC 78-50J	0.880	0.045
FLC 114-50J	0.880	0.034
FLC 158-50J	0.880	0.029
CR50 540PE	0.880	0.070
CR50 1070PE	0.880	0.038
310801	0.820	0.115
311201	0.800	0.180
311501	0.800	0.230
311601	0.800	0.262
311901	0.800	0.377
352001	0.800	0.377

Anritsu