

## TestPad 2000™

### 2310 SONET Field Services Module



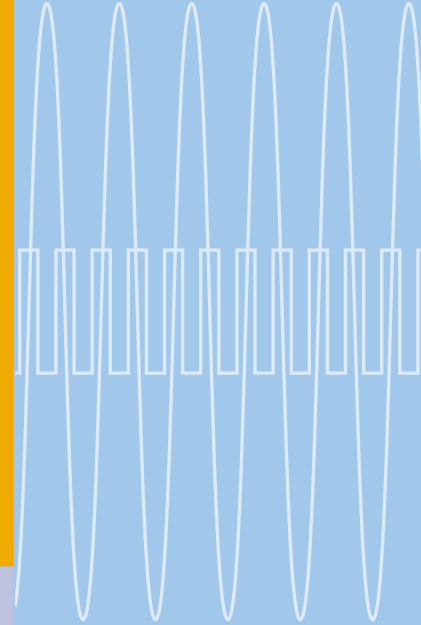
#### Product Highlights

- Multi-rate transmission testing from DS0 to OC-48c in a single hand-held unit
- Multi-services testing capabilities including ATM, GR-303, ISDN, signaling, voice frequency (VF), and digital data service (DDS)
- Multiple operation modes to terminate and monitor circuits from various network access points
- Easy-to-use, touch-screen graphical user interface (GUI) simplifies and expedites testing
- Modular TestPad 2000 architecture enables up-to-date support for established and emerging technologies in a single platform
- Engineered for the field with rugged construction, lightweight design, and battery-powered operation
- Automated testing features minimize training costs and testing complexity

#### Application Highlights

- Perform end-to-end BER testing using a wide range of stress test patterns
- Analyze network performance by simulating abnormal conditions and inserting various errors and alarms
- Perform in-service monitoring of the circuit under test to ensure quality of service
- Verify proper provisioning of network multiplexers and de-multiplexers
- Qualify protocol services such as ATM, GR-303, and ISDN and decode protocol messages
- Perform VF and signaling analysis on test circuits
- Troubleshoot performance of channelized DS0 services from an in-service circuit using the drop and insert operational mode
- Perform network timing synchronization tests and isolate timing errors

The 2310 SONET Field Services Module is an all-in-one integrated testing solution that performs multi-rate transmission testing from DS0 to OC-48/48c and supports physical layer and enhanced services testing at different network rates. Its modular architecture protects your long-term investment by providing the flexibility, scalability, and field upgradability to support evolving test needs.



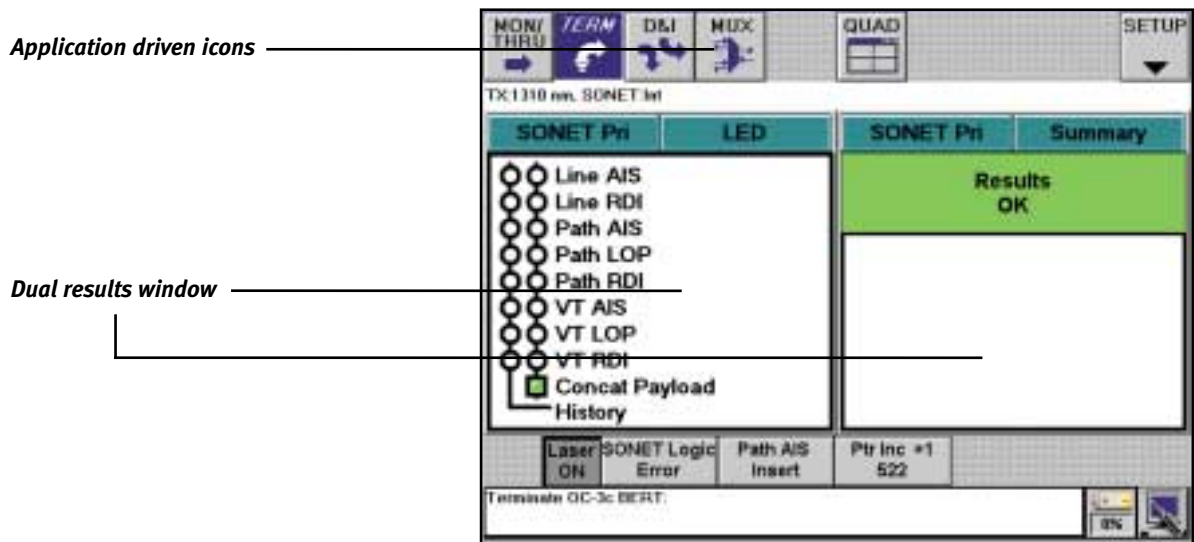
## Function Highlights

- Test optical interfaces at OC-48/48c, OC-12/12c, and OC-3/3c rates
- Test electrical interfaces at STS-1, DS3, and DS1 rates
- Perform bit error rate tests on SONET/DS3/DS1 circuits
- Manipulate SONET overhead bytes with an easy-to-use interface and analyze network performance under abnormal conditions
- Perform bi-directional monitoring of STS-1/DS3/DS1 circuits
- Monitor and test ATM circuits and verify quality of service measurements
- Place and receive calls on an ISDN PRI circuit and test non-facility associated signaling (NFAS) and back-up D-Channel circuits
- Monitor GR-303 protocol links for proper configuration and collect call statistics
- Analyze signaling bits on a T1 voice trunk and place and receive calls
- Use VT100 emulation to configure and monitor network elements

## Features

The 2310 meets the ever-changing needs of today's transmission test workforce with powerful features that provide streamlined, reliable functionality across all applications. With the 2310, testing and service qualification are as easy as the touch of a button. Because technicians need only minimal training to use this equipment, testing objectives are addressed more quickly and costs of ownership are significantly reduced. Key features on the 2310 include:

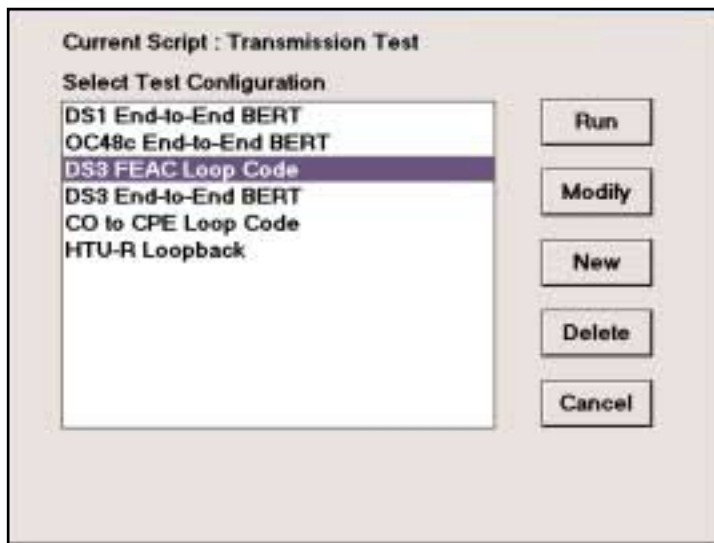
**Application-Driven Icons**—Test application buttons are labeled with icons which clearly depict the way the test is performed on the circuit (e.g., circuit monitoring tests are indicated by “MON/THRU”). The icons and quick setup buttons enable technicians to use the 2310 effectively, with very little training.



**Auto Configuration**—Support for auto configuration is provided in all key applications on the 2310. One-button touch configures different test parameters, such as framing, pattern, and tributary scan, and enables users to reduce the test set-up time required.

**Automation**—Reduce set-up time and increase efficiency of the tests performed by running pre-programmed scripts off the PCMCIA card. The command line remote control feature enables technicians to connect to the 2310 through the PCMCIA serial card or PCMCIA modem and configure tests or analyze results in detail.

*Use automation scripts to verify network performance with the touch of a single button*



**Configurable Results (Quad Results™)**—Correlate results from multiple interfaces and payload mappings (SONET/DS3/DS1) and quickly assess network performance by using the 2310's configurable results features. It also provides functionality to analyze selected results simultaneously in up to four windows.

| STS ID# 1/1, DS1# 1/1, DS0# 1/1              |           |               |           | Setup | Exit |
|--|-----------|---------------|-----------|-------|------|
| QUAD Display: Terminate Muxed DS3 VF in OC-3 |           |               |           |       |      |
| SONET  |           | Custom        |           | DS3   |      |
| Primary                                      | Secondary | Primary       | Secondary |       |      |
| RX Freq                                      |           | RX Frequency  |           |       |      |
| 155520000                                    | N/A       | 44736036      | N/A       |       |      |
| Path Ptr Jast                                |           | Frame Errors  |           |       |      |
| 0  | N/A       | 0             | N/A       |       |      |
| T1   |           | Custom        |           | DS0   |      |
| Primary                                      | Secondary | Primary       | Secondary |       |      |
| RX Frequency                                 |           | Received Byte |           |       |      |
| 1543999                                      | N/A       | 10001010      | N/A       |       |      |
| Frame Errors                                 |           | Level dBm     |           |       |      |
| 0  | N/A       | -0.1          | N/A       |       |      |

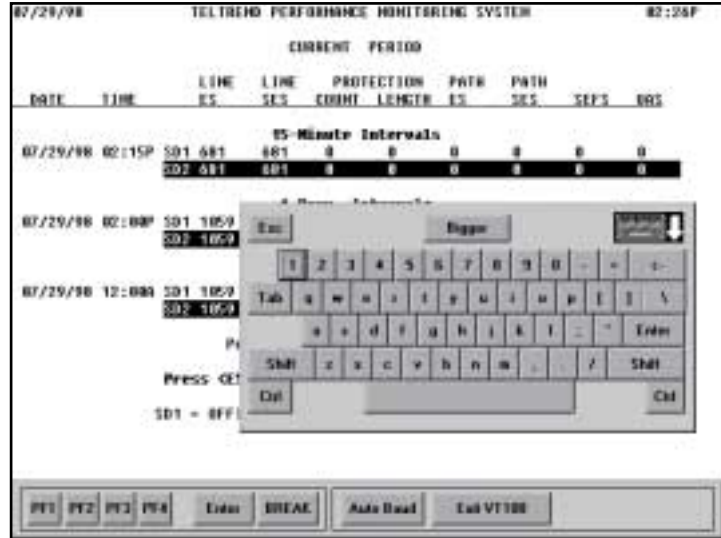
*View selected results from multiple interfaces simultaneously*

**Physical, Active Port, and Laser Active LEDs**—A bright array of physical LEDs on the front panel summarizes results and clearly identifies errors detected during a test. Active Port LEDs on the top panel display the interfaces to use for specific tests—a key consideration when performing mux tests. Laser Active LEDs indicate when the transmit laser is active and when laser pulses are received.

**Simultaneous Results for Different Signal Rates**—Analyze results from different signal rates simultaneously (e.g., DS1 in a muxed DS3 in an OC-3 signal) to quickly identify the source of problems and verify circuit performance. Soft LED results also provide rapid access to information on errors and alarms.

**VT100 Emulation**—Perform VT100 terminal emulation to connect to network elements in order to perform configurations and monitor available statistics.

*Perform VT100 emulation to configure network elements and monitor statistics*



**Timed Prints and Error Logs**—Print results every few minutes, at the end of a test, or at the occurrence of an error using the 2310's print features.

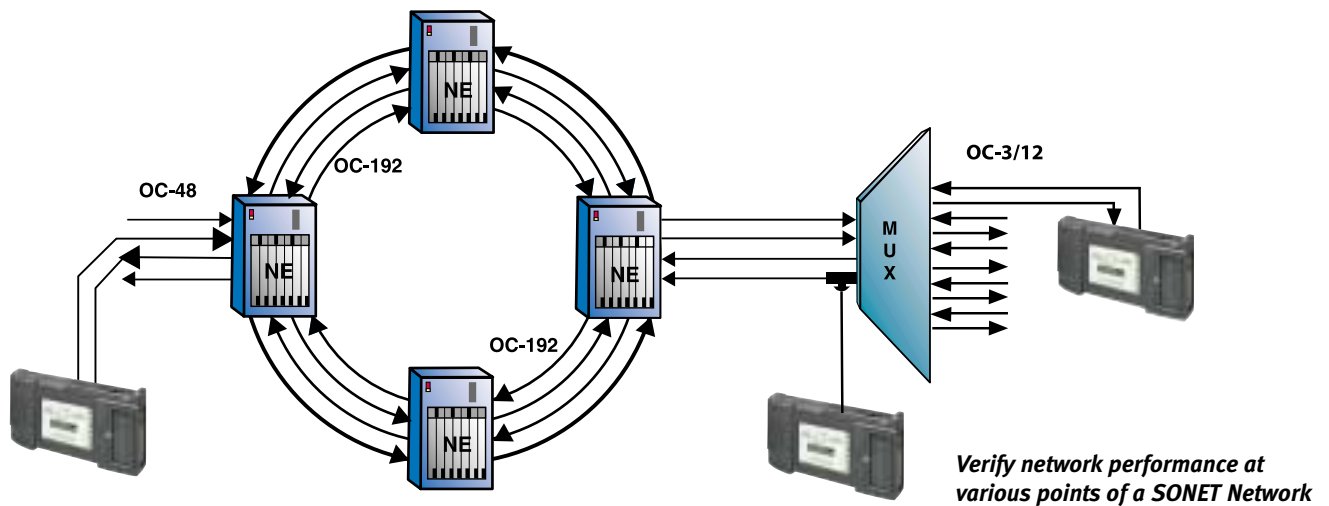
**Through Mode for All Rates**—Gain access to test circuits (DS1 through OC-48) even when no test access or monitor point is provided. The 2310's Through mode capability monitors test circuits by channeling network traffic through the test equipment.

## Applications

### SONET Analysis

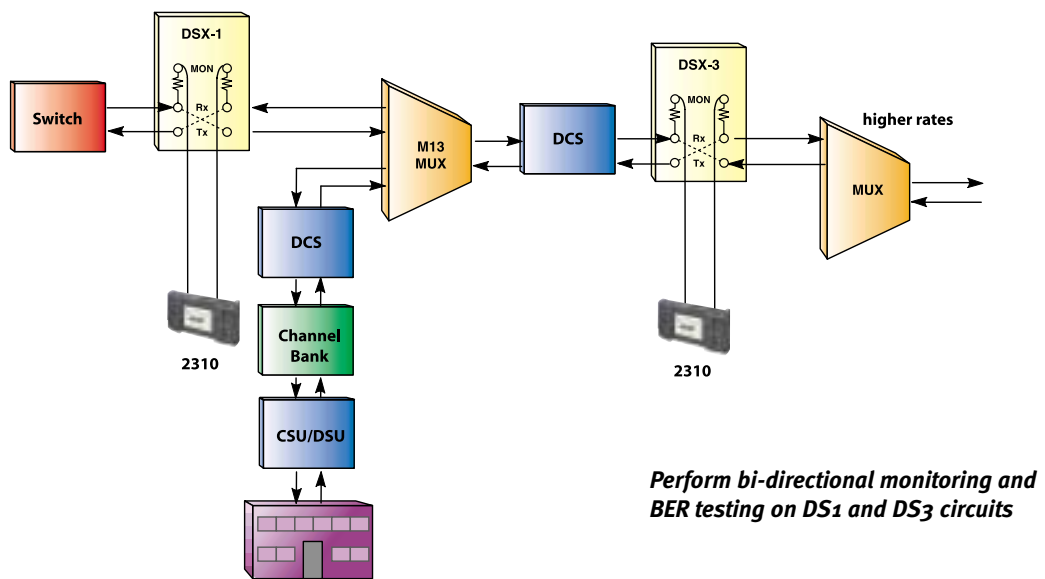
Qualify the performance of SONET networks quickly and easily with the 2310's intuitive GUI. With its support for various payload mappings, the 2310 enables testing and verification of individual payloads inside an OC-n signal (DS1, DS3, muxed DS3, VT1.5, OC-n subrates). Technicians can name and identify trace messages and payloads by using the 2310's user-configurable path trace messages. The 2310's SONET test applications can be used to:

- Verify end-to-end network performance via BER testing at optical and electrical interface rates (OC-48/48c, OC-12/12c, OC-3/3c, STS-1, DS3, DS1)
- Analyze SONET network performance under abnormal conditions by simulating pointer justifications and inserting error and alarm conditions
- Detect performance degradations and alarms and verify protection line connectivity using Monitor/Through mode
- Verify SONET network element performance by manipulating overhead bytes (e.g., pointer adjustments, alarms, K1/K2 bytes)
- Monitor individual DS1 or DS3 payloads and OC-n subrates for analysis
- Verify signal power, signal frequency, and level measurements



### DS3 Analysis

Ensure DS3 network performance by using end-to-end BER testing and by measuring frequency and signal levels on the circuit under test. Technicians can qualify networks for accurate multiplexer operation by performing BER testing on one or all DS1 channels transmitted by a DS3 multiplexer. Access to the DS3 signal is provided from the DS3 interface or a DS3 signal embedded in an STS-1, OC-3, OC-12, or OC-48 circuit. Reduce total testing time on DS3 circuits by using the dual DS3 receivers to perform bi-directional monitoring.



### DS1 Analysis

Verify T1 network performance with the 2310's integrated BER test and with signal, alarm, and timing tests. A wide range of stress test patterns combined with bi-directional monitoring enable technicians to identify and sectionalize circuit problems and quickly qualify circuits for service acceptance. Users can perform VF analysis of voice trunks with the 2310's VF levels and tones measurement support. The drop-and-insert test feature qualifies a DS0 channel while the T1 circuit remains in service. The 2310 isolates sources of timing errors by using external bits clock input to identify network synchronization problems. Access to the DS1 signal is provided from the T1 interface or from the DS1 signal embedded in a DS3, STS-1, OC-3, OC-12, or OC-48 circuit.

## ATM Analysis

Analyze ATM circuits at OC-3c and OC-12c rates and generate multiple cell-streams to perform key quality of service measurements, cell statistics, and bandwidth utilization. The 2310 also provides support to modify the VPI/VCI, PTI, CLP, and GFC fields of the cell header, and to save up to four transmit profiles.

### ATM Search [ TTC #1 Test Cells ]

|                            |              |
|----------------------------|--------------|
| Prev VPI                   | Next VPI     |
| Prev VPI/VCI               | Next VPI/VCI |
| Save VPI/VCI to Rx Profile |              |

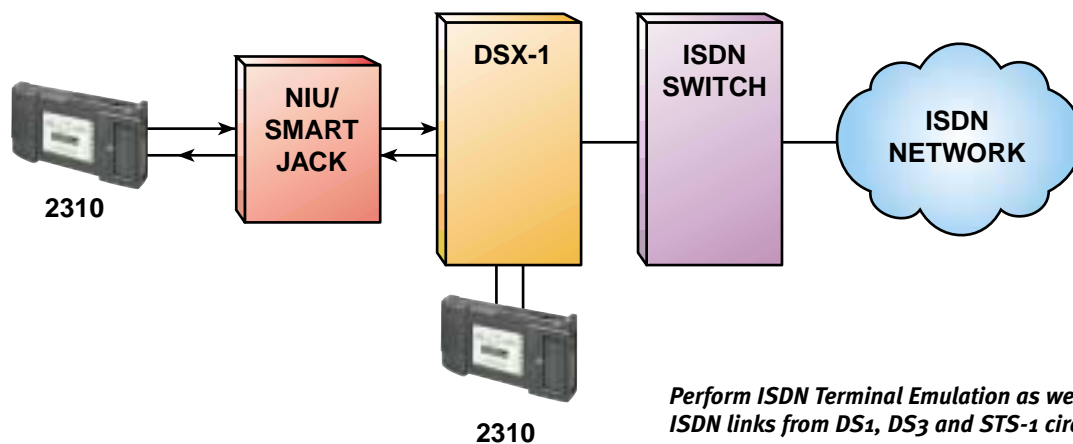
## GR-303 Protocol Link Analysis

Perform basic GR-303 protocol link analysis in Monitor/Through mode at the 64K data rate on a call processing (TMC/CSC) or operations channel (EOC). Analysis is conducted unobtrusively to decode messages at the system's protocol links. Technicians can monitor call statistics, filter call control messages based on cause code, or monitor layer-2 packet statistics to qualify proper functioning of the GR-303 interface.

## ISDN PRI Testing

Emulate an ISDN TE device (e.g., PBX) to place and receive voice and data calls on an ISDN PRI circuit. The 2310 enables users to monitor and capture signaling messages exchanged on the D-Channel. Call status results and progress reports provide an additional level of detail to ensure calls are successfully established. ISDN functions provided by the 2310 include:

- Support for AT&T—5ESS, DMS-100, National ISDN-II—specific call control
- Backup D-Channel testing functionality to switch between stand-by and in-service D-Channels
- Test multiple DS1 lines with NFAS testing
- Bi-directional monitoring with full text decodes for protocol messages exchanged on the D-Channel



## Signaling Analysis

Emulate the PBX/switch for placing and receiving calls and monitor signaling digits for detailed analysis. Key signaling features of the 2310 include:

- Emulate E&M, loop start, and ground start for placing and receiving calls
- DP, DTMF, and MF digit recognition
- Inter-event or inter-digit delay measurements
- Event and digit duration measurements
- Speaker, microphone, or handset functionality for checking voice integrity
- Signaling (ABCD) bits for all DS0s in one simple result window

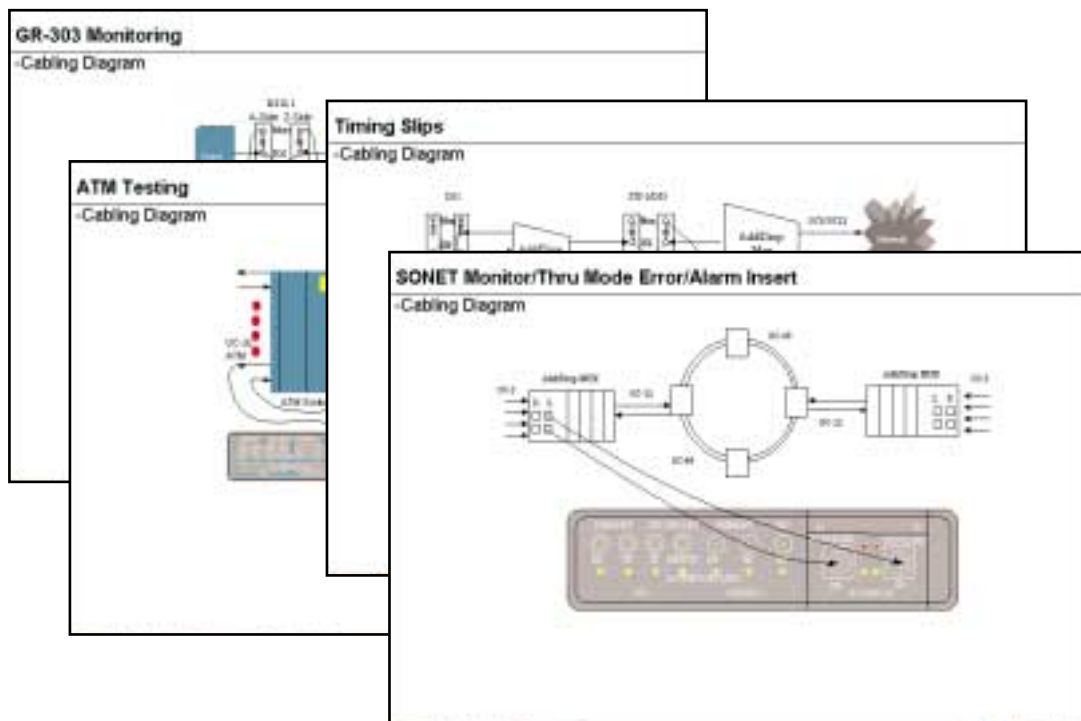
## Loop-Back Applications

Sectionalize T1 circuit problems with the 2310's support for NIU/CSU loop-back and user-programmable loop codes. The 2310 verifies proper functioning of Intelligent Line equipment and repeaters using its built-in support to loop-back network equipment. Technicians can also loop-back DS3 circuit network equipment using DS3 FEAC code functionality.

| Send Near End Arm |           |
|-------------------|-----------|
| Arm               | Disarm    |
| Loop Up           | Loop Down |

## Online Help

Easy-to-use Help screens provide information on product descriptions; quick cards; screen layouts; cabling diagrams; and contact information.

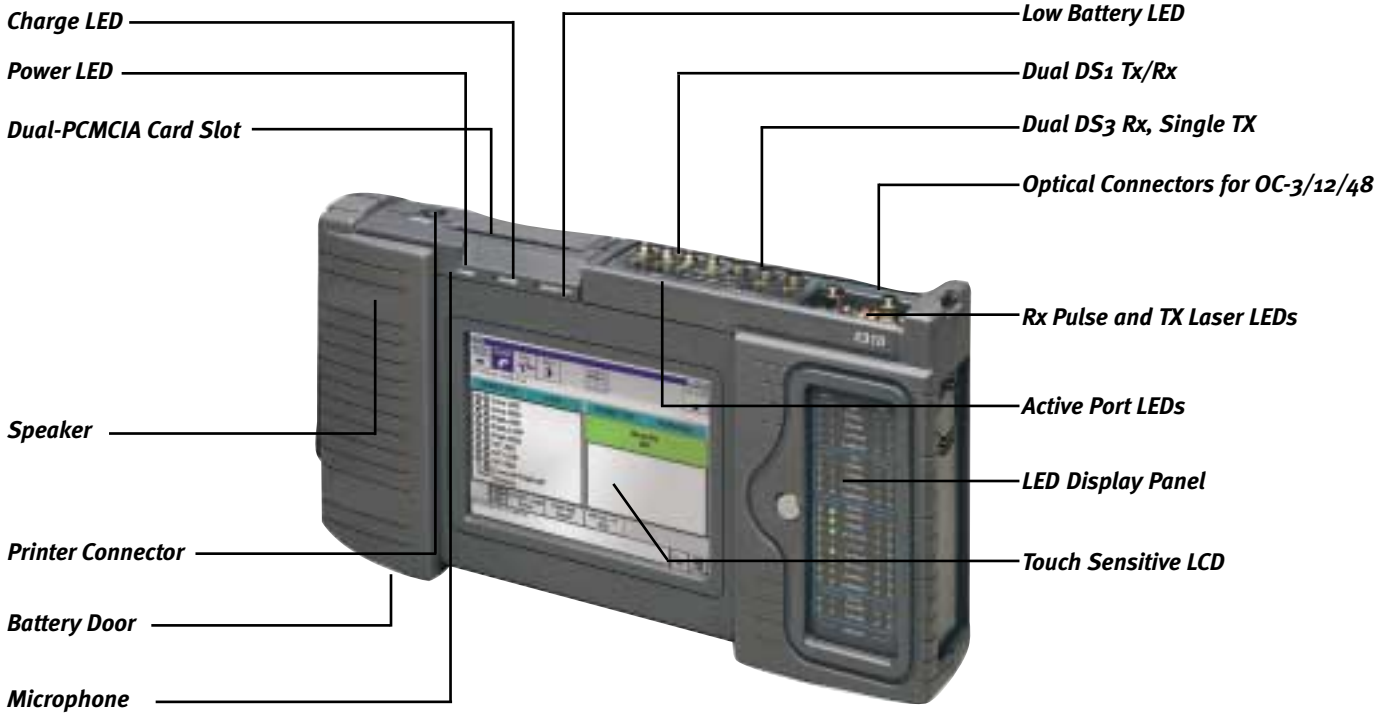


**Online Help provides quick cards and cabling diagrams**

# Technical Specifications

## PHYSICAL CHARACTERISTICS

Overall dimensions .....7.5 x 11.5 x 2.25 inches  
 (19 x 29.2 x 5.7 cm)  
 Weight .....5 lbs (2.27 kg), with battery



## ENVIRONMENT

### Temperature range

Operating .....32° F to 113° F (0° C to 45° C)  
 Storage .....-4° F to 158° F (-20° C to 70° C)  
 Shock and vibration.....Meets IEEE-743

### Electrical

Battery type .....10.8 V Nickel-Metal-Hydride (NiMH)  
 Operating time .....Up to 1.5 hours for performing DS3/DS1 tests  
 Recharging period...Maximum 1.5 hours with unit off  
 AC adaptor .....19 VDC, 2.6 amps  
 90-240 VAC, 45-65 Hz

## OPTICAL SPECIFICATIONS FOR OC-3/12

### Optical connectors

1 OC-3/12 Receive - FC, SC, or ST  
 1 OC-3/12 Transmit - FC, SC, or ST

### Transmit signal

Average output power .....-8 dBm to -15 dBm  
 Eye diagram .....Per BELL CORE GR-253-C-1995  
 Clock frequency accuracy...± 3 ppm ± 1 ppm per year

### Receive signal

Average input power receive level .....-8 dBm to -28 dBm  
 Frequency range .....± 500 ppm  
 Clock frequency accuracy .....± 3 ppm  
 ± 1 ppm per year  
 Jitter tolerance...Per BELL CORE GR-253-CORE-1995

### Level measurement

Range.....-5 to -45 dBm  
 Accuracy.....± 2 dB  
 Resolution.....± 0.1 dB  
 Multimode receiver  
 Single mode transmitter



## OPTICAL SPECIFICATIONS FOR OC-48

### Optical connectors

- 1 OC-48 Receive - FC, SC, or ST
- 1 OC-48 High-Power Transmit - FC, SC, or ST
- 1 OC-48 Low-Power Transmit - FC, SC, or ST

### Transmitter

- Single/multimode fiber compatible
- Dual wavelength.....1310 nm/1550 nm
- Clock frequency accuracy..... $\pm 3$  ppm
- High-power TX output.....+2.0 dBm to -4.3 dBm
- Low-power TX output.....-8.0 dBm to -15.0 dBm

### Receiver

- Single/multimode fiber compatible
- Dual wavelength.....1310 nm/1550 nm
- Rx clock frequency..... $\pm 3$  ppm
- Receive level sensitivity.....-8 dBm to -28 dBm
- Receiver shutdown.....-6 dBm or higher

## INPUT SPECIFICATIONS FOR DS<sub>3</sub> AND STS-1

- Connector type.....WECO 560A jack

### Input level

- High.....Accepts nominal 1.2 Vp, 0 ft of cable from High Source
- DSX .....Accepts nominal 0.6 Vp, 450 ft of cable from High Source
- Low .....Accepts nominal 0.3 Vp, 900 ft of cable from High Source
- Maximum signal level without errors with 1.7 Vp
- Minimum signal level without errors with 0.025 Vp
- Maximum input signal level with 2.5 Vp
- Input impedance .....75 ohms nominal, unbalanced to ground
- Jitter tolerance.....Exceeds TR-TSY-000499

## OUTPUT SPECIFICATIONS FOR DS<sub>3</sub> AND STS-1

- Connector type.....WECO 560A jack

### Output level

- High.....Nominal 1.2 Vp; signal meets ANSI T1.102-1993 and ITU-T G.703 when subject to 450 ft of cable loss

- DSX .....Nominal 0.61 Vp; signal meets ANSI T1.102-1993 and ITU-T G.703

- Low .....Nominal 0.31 Vp
- Output impedance .....75 ohms nominal, unbalanced to ground
- Jitter tolerance.....Per TR-TSY-000499

### Frequency

- DS3 .....44.736 MHz  $\pm 10$  ppm
- STS-1 .....51.84 MHz  $\pm 3$  ppm  $\pm 1$  ppm per year

## INPUT SPECIFICATIONS FOR DS<sub>1</sub>

- Connector type .....Bantam jack
- Frequency.....1.544 MHz  $\pm 50$  ppm

### Impedance

- BRIDGE .....1000 ohms minimum
- TERM.....100 ohms  $\pm 5\%$
- DSX-MON.....100 ohms  $\pm 5\%$

### Range

- BRIDGE .....+6 to -35.0 dBdsx
- TERM.....+6 to -35.0 dBdsx
- DSX-MON .....-10 to -26.0 dBdsx of resistive loss
- Jitter tolerance.....Per Bell Pub 62411-1990

### Accuracy

- Receive Level Measurement .....From 6 dBdsx to -15 dBdsx, accuracy of  $\pm 1$  dB
- .....From -16 dBdsx to -30 dBdsx, accuracy of  $\pm 2$  dB
- .....From -31 dBdsx to -40 dBdsx, accuracy of  $\pm 3$  dB
- Simplex current measurement..... $\pm 2\%$  or  $\pm 2$  mA to 60 mA
- ..... $\pm 3\%$  or  $\pm 3$  mA from 61 mA to 175 mA
- Frequency measurement accuracy ..... $\pm 3$  ppm  $\pm 1$  ppm/year

## OUTPUT SPECIFICATIONS FOR DS<sub>1</sub>

- Connector type .....Bantam jack

### LBO level

- Line build-out of 0, -7.5, -15.0, and -22.5 dB of cable loss at 772 Hz

## LBO tolerance

|                         |  |
|-------------------------|--|
| .....                   | ± 2 dB for –22.5 at 772 kHz            |
| .....                   | ± 1 dB for 0, –7.5, and –15 at 772 kHz |
| Internal timing .....   | ± 3 ppm ± 1 ppm per year               |
| Line codes .....        | AMI or B8ZS                            |
| Error insert type ..... | Logic, BPV, or Frame                   |
| Pulse shape .....       | Per applicable specifications          |

## SOURCES

### Specifications/recommendations used

|       |  |
|-------|--|
| ..... | IEEE 743                                     |
| ..... | ITU-T recommendation G.703                   |
| ..... | AT&T publications CB113, CB119, CB132, CB143 |
| ..... | ANSI T1.403-1995                             |
| ..... | AT&T publications PUB62508, PUB62411         |
| ..... | ITU-T recommendation G.824                   |
| ..... | TR-TSY-000499, category 1.2                  |
| ..... | ANSI T1.102-1993                             |
| ..... | Bellcore GR253-Core-1995                     |
| ..... | Bell Pub 62411-1990                          |

## Ordering Information

### User Interface Module

2000-V3

TestPad 2000 (includes soft carrying case, kickstand, AC adapter/charger, printer cable)

### Application Modules

TB2310-DS1

DS1 Communications Analyzer

TB2310-DS3

DS3/DS1 Communications Analyzer

TB2310-STS1

STS-1/DS3/DS1 Communications Analyzer

TB2310-OC3XX \*

OC3/3c, STS-1/DS3/DS1 Communications Analyzer

TB2310-OC12XX \*

OC12/12c, OC3/3c, STS-1/DS3/DS1 Communications Analyzer

TB2310-OC48XX \*

OC48/48c, OC12/12c, OC3/3c, STS-1/DS3/DS1

Communications Analyzer

TB2310-OC48DXX \*

OC48/48c, OC12/12c, OC3/3c, STS-1/DS3/DS1

Communications Analyzer with both 1310 nm and 1550 nm laser

\* Specify type of optical connector: FC, SC, or ST

### Analyzer Options

TB2310-ASP

Advanced stress patterns

TB2310-ATM-OC3

ATM analysis for OC3c

TB2310-ATM-OC12

ATM analysis for OC12c

TB2310-DDS

Digital data services (DDS) analysis

TB2310-DUALRX

Secondary receiver for DS3 and STS-1 interfaces

TB2310-FT1

Fractional T1

TB2310-GR303

GR-303 analysis

TB2310-ILE

Intelligent Line equipment

TB2310-PRI

Primary Rate ISDN

TB2310-SIG                      Signaling  
 TB2310-TIM                      VF PCM TMS  
 TB2310-VT100                      VT100 emulation

*Packages*

|           | DS1 | DS3 | STS1 | OC3 | OC12 | OC48 | OC48D | UIM | VT100 | Dual Rx |
|-----------|-----|-----|------|-----|------|------|-------|-----|-------|---------|
| TB2310-P1 | X   | X   | X    |     |      |      |       | X   | X     | X       |
| TB2310-P2 | X   | X   | X    | X   |      |      |       | X   | X     | X       |
| TB2310-P3 | X   | X   | X    | X   | X    |      |       | X   | X     | X       |
| TB2310-P4 | X   |     |      |     |      |      |       | X   | X     | X       |
| TB2310-P5 | X   | X   |      |     |      |      |       | X   | X     | X       |
| TB2310-P6 | X   | X   | X    | X   | X    | X    |       | X   | X     | X       |
| TB2310-P7 | X   | X   | X    | X   | X    |      | X     | X   | X     | X       |

|            | FT1 | TIM | SIG | ASP | ILE | DDS | PRI |
|------------|-----|-----|-----|-----|-----|-----|-----|
| TB2310-SW1 | X   | X   | X   | X   |     |     |     |
| TB2310-SW2 | X   | X   | X   | X   | X   | X   |     |
| TB2310-SW3 | X   | X   | X   | X   |     |     | X   |
| TB2310-SW4 | X   | X   | X   | X   | X   | X   | X   |

*Optional Accessories*

AC-31705                      External Battery Charger  
 AC-31891                      Hanging Strap  
 BA-014081                      Replacement Battery  
 CC-44605                      Carrying Case, Large, Soft  
 CC-451-58                      Carrying Case, Multi-module, Soft  
 RM-TTC2000                      Rack mount for TestPad

*Additional Application Modules Available*

**Optical Modules**

2510 10-Gig Field Services Module  
 2416 SDH Field Services Module

**Access Modules**

2209 T1/T3 Field Services Module  
 2230 E1 Data Communications Analyzer  
 2207 T1/T3 Wireless Field Services Module

**Copper Modules**

2109 Copper Analyzer Module  
 2357 DSL Broadband Services Module

**Note:** Specifications, terms, and conditions are subject to change without notice.

© Copyright 2001, Acterna, LLC. All rights reserved. Acterna, The Keepers of Communications, and its logo are trademarks of Acterna, LLC. All other trademarks are the property of their respective owners.

2310SE/PRE/TR/IND/03-01

## Regional Sales Headquarters

### Global Headquarters

20400 Observation Drive  
Germantown, Maryland 20876-4023 USA  
Toll Free 1-800-638-2049  
Tel +1-301-353-1550  
Fax +1-301-444-8468  
[www.acterna.com](http://www.acterna.com)

### North America

20400 Observation Drive  
Germantown, Maryland 20876-4023 USA  
Toll Free 1-800-638-2049  
Tel +1-301-353-1550  
Fax +1-301-444-8468

### Western Europe

Arbachtalstrasse 6  
72800 Eningen u.A.  
Germany  
Tel +49 7121 86 2222  
Fax +49 7121 86 1222

### Latin America

Av. Eng. Luis Carlos Berrini  
936 8/9. Andar  
04571-000 Sao Paulo, SP  
Brazil  
Tel +55 11 5503 3800  
Fax +55 11 5505 1598

### Eastern Europe, Middle East & Africa

Elisabethstrasse 36  
PO Box 13  
2500 Baden  
Austria  
Tel +43 2252 85 521 0  
Fax +43 2252 80 727

### Asia/Pacific

42 Clarendon Street  
PO Box 141  
South Melbourne, Victoria 3205  
Australia  
Tel +61 3 9690 6700  
Fax +61 3 9690 6750

1<sup>st</sup> Neopalmovskiy Per. 15/7 (4<sup>th</sup> floor)  
119121 Moscow  
Russia  
Tel +7 095 248 2508  
Fax +7 095 248 4189



Acterna is present in more than 80 countries. To find your local sales office, go to [www.acterna.com](http://www.acterna.com)



TTC AND WWG ARE NOW ACTERNA. TO LEARN MORE, VISIT [WWW.ACTERNA.COM](http://WWW.ACTERNA.COM)